

Project Name	Type
Catalog #	Date

LED COVE LUMINAIRE

LCL LED



APPLICATIONS

- Linear Ambient Lighting
- Cove Lighting
- Industrial Strips

APPROVALS

- ETL Listed. Complies with UL1598 and CSA C22.2#250.0.0:2008
- Suitable for damp locations.
- Select models DLC Qualified. For a complete list of DLC Qualified products, please visit: <http://www.xtralight.com/dlc> or www.designlights.org/qpl

PRODUCT PERFORMANCE

REPLACES	MODEL	CCT	WATTS	LUMENS	EFFICACY
1L T8	4 FT. 25W	4000K	24.5	3671	149.8
2L T8	4 FT. 42W	4000K	43.2	5905	136.7

FEATURES

- Energy-efficient LED replacement for a 2L T8 fluorescent fixture.
- Low wattage, high efficiency fixture utilizing best in class LED technology.
- Quick mount bracket option available.

CONSTRUCTION

- Available in 2 or 4 ft. models.
- End caps mechanically fastened to body for strength and rigidity.
- Body is 22GA pre-painted white steel.

OPTICS

- Best In Class LEDs: 3000K, 3500K, 4000K & 5000K CCT (min 80 CRI)
- Lumen Maintenance: >100,000 hours at 70% initial lumens (L₇₀).

ELECTRICAL

- LED modules individually replaceable via plug-in connector ensuring easy serviceability.
- Voltage: 120-277VAC input.
- Driver: 24VDC Class 2, constant current, electronic power supply factory calibrated to LED modules. Multi-volt 120-277V, 0-10V dimming is standard.

WARRANTY

- Backed by XtraLight's industry leading 10-year warranty.

ORDER LOGIC

SAMPLE ORDER NUMBER: LCLLED402042X4XDIM6AXXX

LCL LED			X			DIM			XX	X	
LENGTH	MODEL	MODULES	OPTICS	MOUNTING	CORD LENGTH	DRIVER	SHIELDING	NEMA PLUG	OCCUPANCY SENSORS	EMERGENCY BACKUP	
2 2 ft.	018	01 ¹ 02 ²	X None	X None/Surface Y V-Hangers G Adjustable Cable Q Quick Mount Bracket	6 6 ft. 8 8 ft. T 10 ft. 1 12 ft. X None	DIM Multi-Volt 120-277V 0-10V Dimmable	XX None	A 120V, 15A straight-blade B 277V, 20A twistlock D 277V, 15A twistlock X None	X None	1 ³ 4 ⁴ Emergency Driver X None	
4 4 ft.	025 042 ² 050 ²										

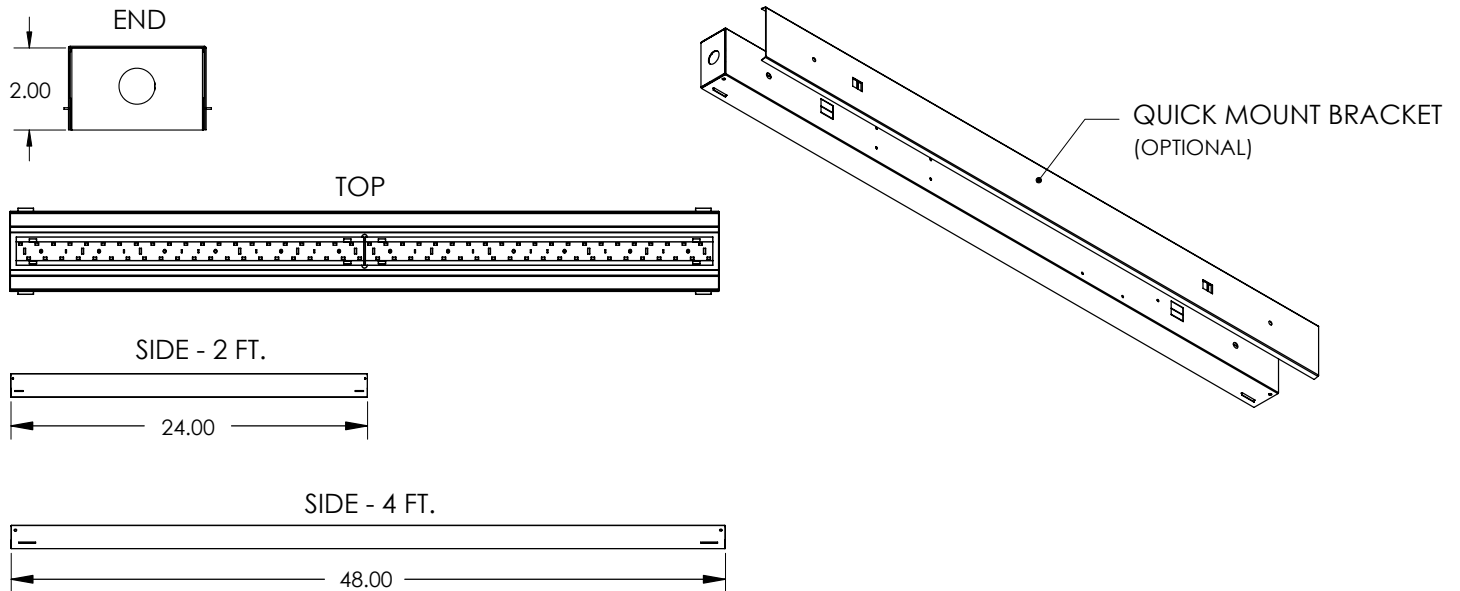
- 1 - 2 ft. only
- 2 - 4 ft. only
- 3 - EM not available in 2 ft. length
- 4 - Emergency Lumen Output of 1400 per fixture schedule (42W Model)



LED COVE LUMINAIRE

LCL

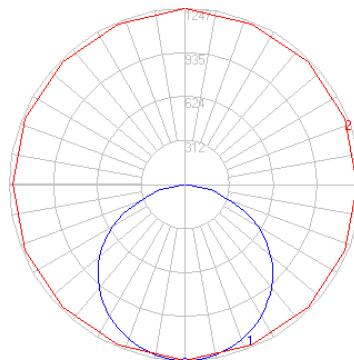
DIMENSIONAL DATA



PHOTOMETRIC DATA

LCL 25W

Catalog Number: LCLLED402025X4XDIM
 Report Number: ATALO27089.ies
 Issue Date: 10/17/18
 Lamp: (2) LED Modules
 Lens/Optics: None
 IESNA: LM-63-2002
 Total Input Watts: 24.5
 Efficacy (Lm/W): 149.8
 Total Lumens: 3671
 Prepared by: American Testing & Assessment Laboratory
 NOTE: Data shown is absolute for product shown.



CANDELA DISTRIBUTION

	0°	22.5°	45°	67.5°	90°
0°	1233	1233	1233	1233	1233
15°	1180	1185	1191	1191	1199
25°	1109	1115	1114	1117	1125
35°	1009	1010	1011	1011	1018
45°	872	871	871	870	875
55°	698	696	696	692	697
65°	490	489	488	477	479
75°	256	254	244	235	233
85°	45	44	12	3	2
90°	0	0	0	0	0

ZONAL LUMEN SUMMARY

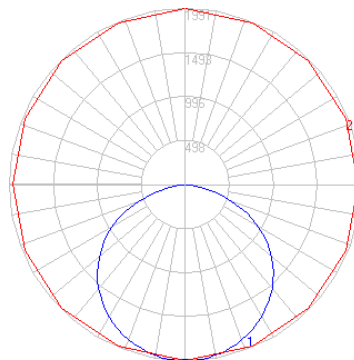
Zone	Lumens	%Fixt
0-30	967.05	26.30
0-40	1599.53	43.60
0-60	2892.39	78.80
0-80	3629.02	98.90
0-90	3671.1	100.00
90-180	0.00	0.00
0-180	3671.1	100.00

AVERAGE LUMINANCE

	0°	45°	90°
45°	12774	12759	12818
55°	12605	12569	12587
65°	12010	11961	11740
75°	10245	9765	9325
85°	5348	1426	238

LCL 42W

Catalog Number: LCLLED402042X4XDIM
 Report Number: ATALO26629.ies
 Issue Date: 10/22/18
 Lamp: (2) LED Modules
 Lens/Optics: None
 IESNA: LM-63-2002
 Total Input Watts: 43.2
 Efficacy (Lm/W): 136.7
 Total Lumens: 5905
 Prepared by: American Testing & Assessment Laboratory
 NOTE: Data shown is absolute for product shown.



CANDELA DISTRIBUTION

	0°	22.5°	45°	67.5°	90°
0°	1977	1977	1977	1977	1977
15°	1896	1902	1910	1911	1923
25°	1783	1790	1789	1794	1806
35°	1618	1619	1620	1622	1633
45°	1399	1399	1396	1397	1409
55°	1122	1122	1119	1114	1124
65°	789	789	783	773	770
75°	411	413	395	380	375
85°	73	71	29	9	3
90°	0	0	0	0	0

ZONAL LUMEN SUMMARY

Zone	Lumens	%Fixt
0-30	1551.83	26.30
0-40	2567.09	43.50
0-60	4645.77	78.70
0-80	5835.13	98.80
0-90	5905.31	100.00
90-180	0.00	0.00
0-180	5905.31	100.00

AVERAGE LUMINANCE

	0°	45°	90°
45°	19134	19093	19270
55°	18918	18867	18951
65°	18055	17918	17620
75°	15357	14759	14012
85°	8100	3218	333



WORKING HARDER. LIGHTING SMARTER.™