
IMPORTANT SAFEGUARDS

INSTRUCTIONS

THIS PRODUCT MUST BE INSTALLED IN ACCORDANCE WITH THE APPLICABLE INSTALLATION CODE BY A PERSON FAMILIAR WITH THE CONSTRUCTION AND OPERATION OF THE PRODUCT AND THE HAZARDS INVOLVED.

CE PRODUIT DOIT ÊTRE INSTALLÉ SELON LE CODE D'INSTALLATION PERTINENT, PAR UNE PERSONNE QUI CONNAÎT BIEN LE PRODUIT ET SON FONCTIONNEMENT AINSI QUE LES RISQUES INHÉRENTS.

- | | |
|---|--|
| <ol style="list-style-type: none">1. READ AND FOLLOW ALL SAFETY INSTRUCTIONS.2. SAVE THESE INSTRUCTIONS.3. DO NOT USE OUTDOORS.4. DO NOT MOUNT NEAR GAS OR ELECTRIC HEATERS.5. USE CAUTION WHEN SERVICING BATTERIES.6. DO NOT USE THIS EQUIPMENT FOR OTHER THAN INTENDED USE.7. DISCONNECT POWER PRIOR TO COMMENCING WORK.8. INSTALLATION REQUIRES KNOWLEDGE OF LED LIGHTING AND ELECTRICAL SYSTEMS. RISK OF FIRE OR ELECTRICAL SHOCK EXISTS.9. DO NOT MAKE OR ALTER ANY OPEN HOLES IN AN ENCLOSURE OF WIRING OR ELECTRICAL COMPONENTS DURING INSTALLATION10. DO NOT EXPOSE WIRING TO EDGE OF SHEET METAL OR OTHER SHARP | <p>OBJECTS IN ORDER TO PREVENT WIRING DAMAGE OR ABRASION.</p> <ol style="list-style-type: none">11. THE LED LUMINAIRE MUST BE WIRED IN ACCORDANCE WITH THE NATIONAL ELECTRICAL CODE AND ALL APPLICABLE LOCAL CODES.12. PROPER GROUNDING IS REQUIRED FOR SAFETY.13. THIS LED LUMINAIRE MUST BE INSTALLED PER THE APPLICABLE INSTALLATION CODE BY A PERSON FAMILIAR WITH THE CONSTRUCTION AND OPERATION OF THE PRODUCT. DO NOT ATTEMPT INSTALLATION IF THIS CONDITION IS NOT MET. CONTACT A QUALIFIED ELECTRICIAN.14. DO NOT USE THIS LUMINAIRE FOR ANYTHING OTHER THAN ITS INTENDED USE.15. READ AND FOLLOW ALL SAFETY INSTRUCTIONS.16. SAVE THESE INSTRUCTIONS. |
|---|--|

INSTALLATION

WARNING: To avoid fire, shock, or death; **TURN OFF POWER** at circuit breaker or fuse and test that power is off before wiring!

THIS LUMINAIRE IS SUITABLE FOR 2X2 RECESSED GRID MOUNT ONLY.

1. Slide the Housing to fit through the 2X2 Tee Grid Opening and seat on the upward inside edge.
2. Insure the Tee Grid Bar Clips are over top of Tee Bar. (Figure 2).
3. Connect wires as shown in wiring diagram (Figure 3)

Luminaire Dimensional Data

LHR LED 2X2

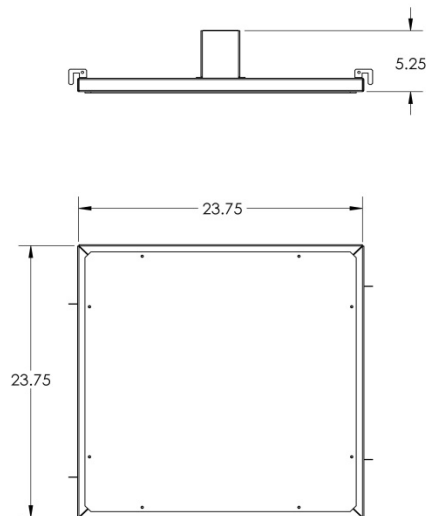
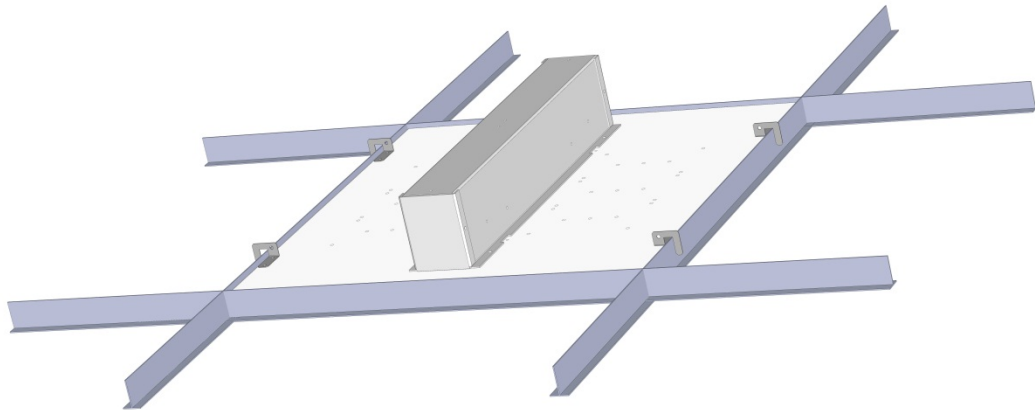


Figure 1

LHR LED 2X2

**Figure 2**

Wiring

Universal driver: 120VAC - 277VAC, 50/60HZ.

1. Verify that the electrical power to the Luminaire is in the OFF position.
2. Connect the driver black lead to Line supply lead. (see Fig. 2)
3. Connect the driver white lead to Neutral supply lead.
4. Connect the ground wire to fixture ground.
5. Energize the electrical power and verify for proper operation.

Wiring Diagram

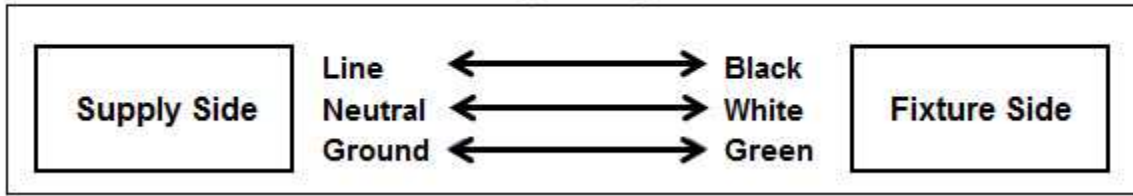


Figure 3