

Project Name	Type
Catalog #	Date

# LED HIGH BAY RECESSED

## LHR LED - FRAMED LENS



2X2 SIZE SHOWN

### APPLICATIONS

- Recessed Grids
- Manufacturing Plants
- Industrial Facilities
- Office Spaces
- Retail Areas
- Show Rooms
- Gymnasiums
- Racquetball Courts

### APPROVALS

- Complies with UL1598 and CSA 22.2
- Suitable for damp locations.
- BAA Compliant.
- Select models DLC Qualified. For a complete list of DLC Qualified products, please visit: <http://www.xtralight.com/dlc> or [www.designlights.org/qpl](http://www.designlights.org/qpl)

### PRODUCT PERFORMANCE

REPLACES	MODEL	CCT	WATTS	LUMENS	EFFICACY
400W HID	19500L	5000K	192.4	21773	113.2

Note: Photometric data shown for LHF (data for LHR will be identical).

### FEATURES

- An energy-efficient replacement for up to a 400W HID fixture that utilizes patented LED technology.
- A high performing low bay luminaire designed to light large areas in commercial and industrial applications with recessed grids.
- Dimming options are available.

### CONSTRUCTION

- Housing is .080" gauge aluminum post-painted powder coat white. Custom colors available, consult factory.
- Lens frame is painted after fabrication for a premium finish.
- Access to driver from room side or plenum.
- Thermal heat management engineered for extended life.
- Designed for common 15/16" ceiling grid or hard ceiling flange kit.
- Earthquake clips standard.

### ELECTRICAL

- Voltage: 120-277V 50/60Hz driver; 347-480V 50/60Hz driver.
- Driver: 24VDC Class 2, constant current, electronic power supply factory calibrated to LED modules. 0-10V dimming option is available. 480V option is available.
- Wiring: Internal factory wiring and pre-installed LED modules.
- Best in class LEDs: 4000K and 5000K CCT (min 80 CRI).
- Lumen Maintenance (L70): >100,000 hours @ 25°C

### ACCESSORIES

- Recessed troffer flange kit available, ordered separately (consult factory).

### WARRANTY

- Backed by XtraLight's industry leading 10 year warranty.

### ORDER LOGIC

SAMPLE CATALOG NUMBER: LHR22-19500L-50K-UNV-SCA

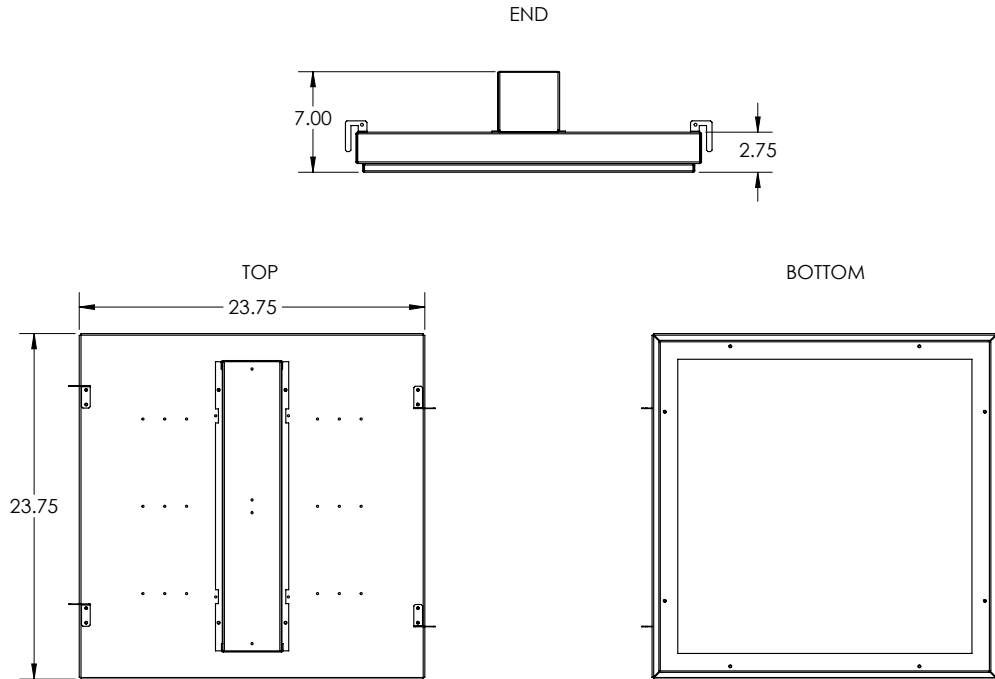
SIZE	MODEL	CCT	DRIVER	LENS	SPECIAL OPTIONS
22 2x2	10000L	30K 3000K	UNV Multi-Volt 120-277V Non-Dimming	PFA Prismatic Frosted Acrylic Lens	WG Wire Guard
24 2x4	15000L	35K 3500K	DIM Multi-Volt 120-277V Dimming	SFP Smooth Frosted Polycarbonate Lens	
	19500L	40K 4000K	480 347-480V Non-Dimming	SCP Smooth Clear Polycarbonate Lens	
		50K 5000K	48D 347-480V Dimming		



# LED HIGH BAY RECESSED

## LHR LED - FRAMED LENS

### DIMENSIONAL DATA



### PHOTOMETRIC DATA Note: Photometric data shown for LHF (data for LHR will be identical).

#### LHF22-19500L

Catalog Number:  
LHF22-19500L-50K-DIM-SCA

Report Number: ATALO26611.ies

Issue Date: 11/06/18

Lamp: (6) LED Modules

Lens/Optics: Smooth Clear Acrylic Lens

IESNA: LM-63-2002

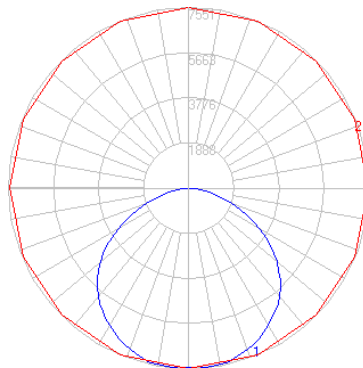
Total Input Watts: 192.4

Efficacy (Lm/W): 113.2

Total Lumens: 21773

Prepared by: American Testing & Assessment Laboratory

NOTE: Data shown is absolute for product shown.



#### CANDELA DISTRIBUTION

	0°	22.5°	45°	67.5°	90°
0°	7526	7526	7526	7526	7526
15°	7341	7346	7352	405	7388
25°	6905	6943	6981	6966	6949
35°	6257	6342	6356	6361	300
45°	5342	5413	5421	5431	5408
55°	4090	4144	4188	4228	4189
65°	2532	2543	2711	2767	2722
75°	981	982	1133	1254	1163
85°	58	56	68	82	61
90°	5	5	5	4	2

#### ZONAL LUMEN SUMMARY

Zone	Lumens	%Fixt
0-30	6000.65	27.60
0-40	9959.78	45.70
0-60	17841.21	81.90
0-80	21632.20	99.40
0-90	21772.00	100.00
90-180	0.60	0.00
0-180	21772.6	100.00

#### AVERAGE LUMINANCE

	0°	45°	90°
45°	26528	26920	26856
55°	25039	25639	25645
65°	21038	22525	22617
75°	13309	15372	15779
85°	2337	2740	2458