

Project Name	Type
Catalog #	Date

RECESSED TROFFER FLANGE KIT



APPLICATION

- Flange kits act as T-Bar frames to support any XtraLight recessed troffer luminaire in wood, drywall or plaster ceilings
- From the room side flange kits mimic the appearance of T-Bars in a baked white enamel finish.

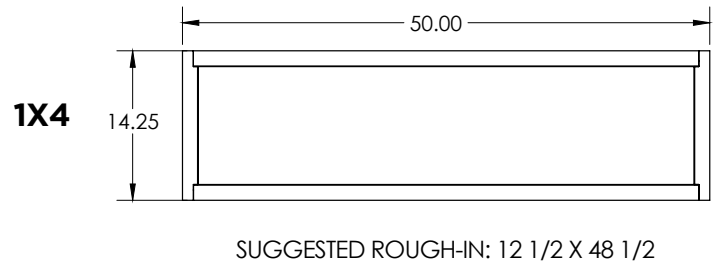
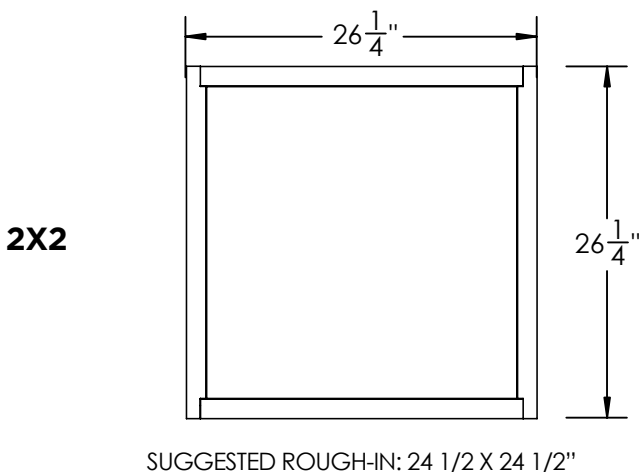
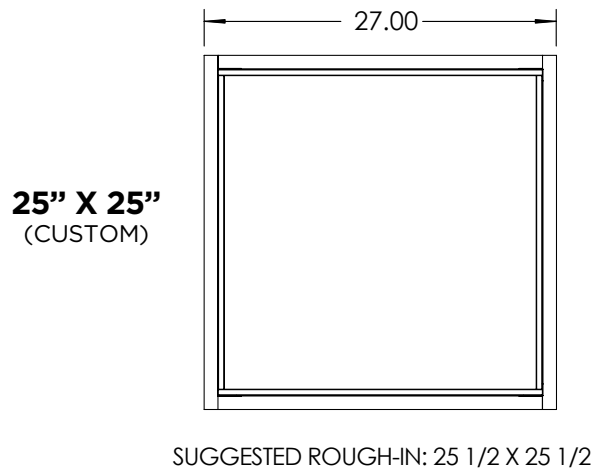
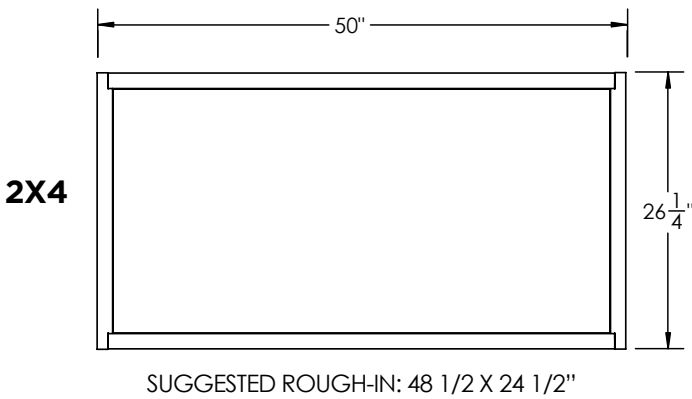
CONSTRUCTION

- 20 gauge steel post painted.
- All kits include the following hardware: (2) side flanges, (2) end flanges and (8) short 8/32 hex screws.

ORDERING INFORMATION

- To order a troffer flange kit, please contact customer service with a corresponding part number.
- **2x4** - MS2806, **2x2** - MS2807, **1x4** - MS4390
- For a custom size, please consult customer service.

ROOM SIDE VIEW DIMENSIONS



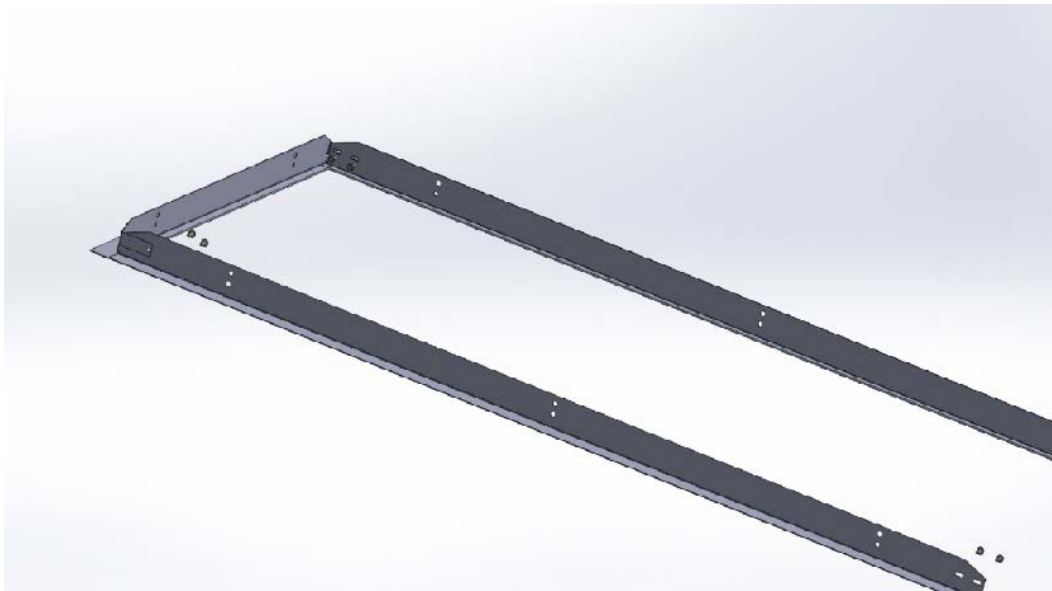
Project Name	Type
Catalog #	Date

RECESSED TROFFER FLANGE KIT

INSTALLATION INSTRUCTIONS

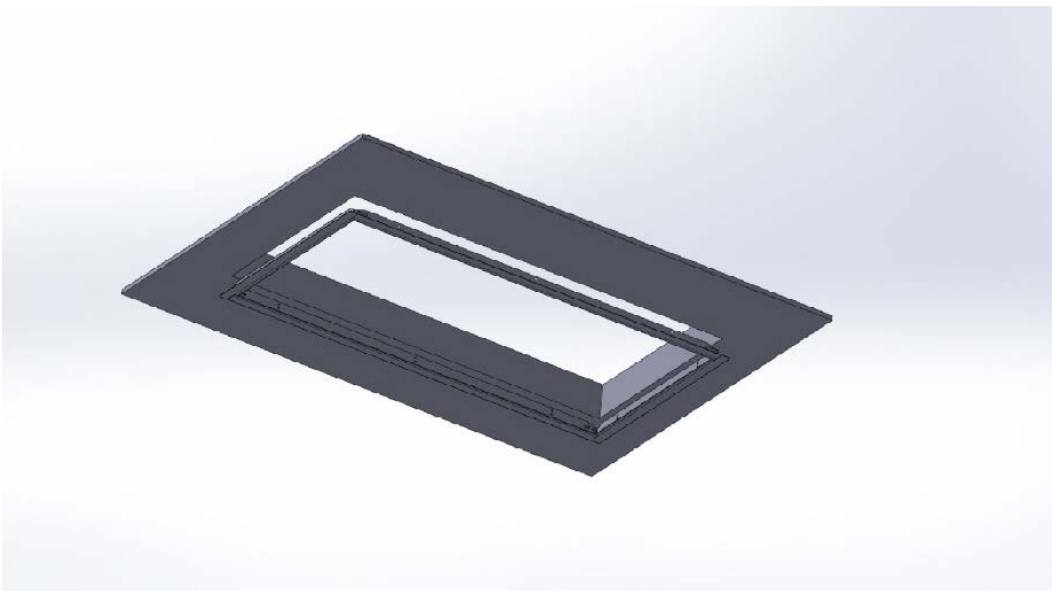
STEP 1

Install screws provided as shown in the figure below.



STEP 2

Install kit into the ceiling using contractor supplied screws or nails.



IMPORTANT SAFEGUARDS: This product must be installed in accordance with the applicable installation code by a person familiar with the construction and operation of the product and the hazards involved. **WARNING** Risk of fire or electrical shock. Disconnect power prior to commencing work. Do not attempt installation if this condition is not met. Contact a qualified electrician. Do not use this kit for anything other than its intended use.