

Project Name	Type
Catalog #	Date

# WRAP ANGLE INSTITUTE LED

## WAI 2000-9500L



4 FT. MODEL SHOWN



### APPLICATIONS

- Stairwells
- Corridors
- Uplight

### APPROVALS

- Complies with UL1598 and CSA 22.2
- Suitable for damp locations.

### PRODUCT PERFORMANCE

REPLACES	CCT	WATTS	LUMENS	EFFICACY
2L T5HO/T8	4000K	42.9	4857	113.2

### FEATURES

- Energy-efficient replacement for up to a 2 lamp T5HO or T8 fluorescent luminaire.
- Utilizes high efficiency patented LED technology.
- Slim profile and sturdy construction.
- Efficient asymmetrical light.
- Ultrasonic sensor option.
- Front accessible sensor controls.

### ELECTRICAL

- Voltage - 120-277VAC input.
- Driver - 24VDC Class 2, constant current, electronic power supply factory calibrated to LED modules. Multi-volt 120-277V or 0-10V dimming option is available.
- Ultrasonic sensor adjustable for 5-30 minute operation.

### CONSTRUCTION

- Body and end caps are code gauge aluminum.
- End caps are riveted to housing for strength and rigidity.
- Internal mount prismatic lens provides clean appearance and secure attachment.

### WARRANTY

- Backed by XtraLight's industry leading 10 year warranty.

### ORDER LOGIC

SAMPLE CATALOG NUMBER: **WAI4-4000L-50K-DIM-ULT**

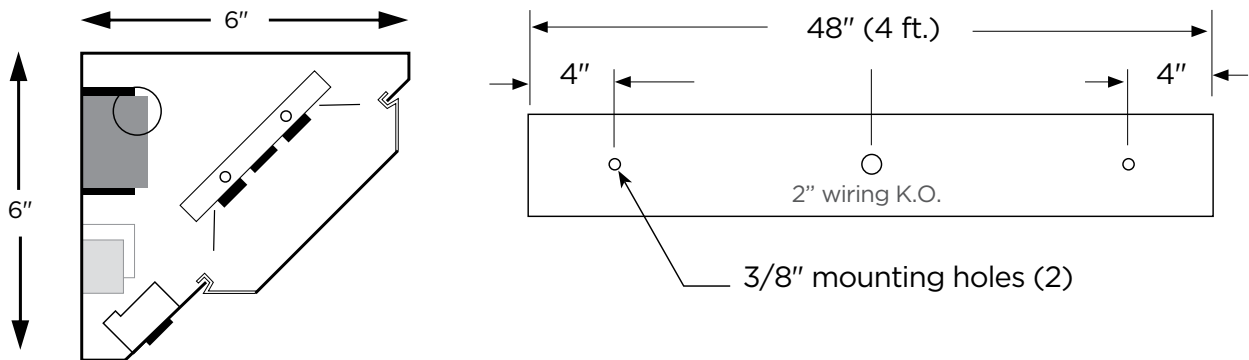
LENGTH & MODEL COMBINATIONS:	WAI		-		-		-		-	
		LENGTH		MODEL		CCT		DRIVER		OPTIONS
WAI2 - 2000L (25W)		2 2 ft.		2000L (25W)		30K 3000K		UNV <sup>1</sup> Multi-Volt 120-277V Non-Dimming		ULT Ultrasonic Sensor
WAI4 - 2000L (25W)		4 4 ft.		4000L (42W)		35K 3500K				
WAI4 - 4000L (42W)		8 8 ft.		5000L (52W)		40K 4000K		DIM Dimmable, Multi-Volt 120-277V, 0-10V		
WAI4 - 5000L (52W)				7000L (72W)		50K 5000K				
WAI8 - 5000L (52W)				9000L (100W)						
WAI8 - 7000L (72W)										
WAI8 - 9500L (100W)										

1. UNV driver only available in 7000L and 9500L models.

# WRAP ANGLE INSTITUTE STAIRWELL LED

WAI LED

## DIMENSIONAL DATA



## PHOTOMETRIC DATA

### WAI 4000L

Catalog Number:

**WAI4-4000L-40K-DIM**

Report Number: ATALO26623.ies

Issue Date: 11/02/18

Lamp: (2) LED Modules

Lens/Optics: Prismatic Lens

IESNA: LM-63-2002

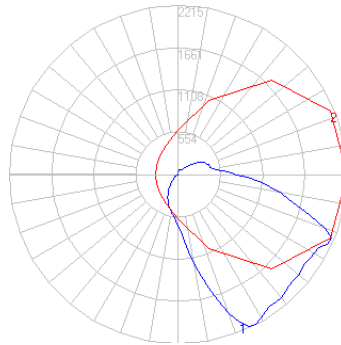
Total Input Watts: 42.9

Efficacy (1/W): 113.2

Total Lumens: 4857

Prepared by: American Testing & Assessment Laboratory

NOTE: Data shown is absolute for product shown.



### CANDELA DISTRIBUTION

	0°	22.5°	45°	67.5°	90°
0°	664	664	664	664	664
15°	1542	1434	1195	879	633
25°	2193	2085	1632	1020	589
35°	2100	2068	1954	1106	516
45°	2057	1995	1856	1124	402
55°	2027	1941	1674	1045	281
65°	2150	2012	1586	778	205
75°	1611	1480	1099	454	124
85°	1056	952	633	246	39
90°	769	705	449	189	5

### ZONAL LUMEN SUMMARY

Zone	Lumens	Fixt
0-30	748.29	15.40
0-40	1347.69	27.70
0-60	2732.45	56.30
0-90	4317.16	88.90
90-180	540.21	11.10
0-180	4857.37	100.00

### AVERAGE LUMINANCE

	0°	45°	90°
45°	15642	18372	16611
55°	14005	15299	13758
65°	14001	13853	12792
75°	10214	9467	11130
85°	6722	5545	6590