
IMPORTANT SAFETY INSTRUCTIONS

THIS PRODUCT MUST BE INSTALLED IN ACCORDANCE WITH THE APPLICABLE INSTALLATION CODE BY A PERSON FAMILIAR WITH THE CONSTRUCTION AND OPERATION OF THE PRODUCT AND THE HAZARDS INVOLVED.

CE PRODUIT DOIT ÊTRE INSTALLÉ SELON LE CODE D'INSTALLATION PERTINENT, PAR UNE PERSONNE QUI CONNAÎT BIEN LE PRODUIT ET SON FONCTIONNEMENT AINSI QUE LES RISQUES INHÉRENTS.

1. READ AND FOLLOW ALL SAFETY INSTRUCTIONS.
2. INSTALLATION REQUIRES KNOWLEDGE OF LED LIGHTING AND ELECTRICAL SYSTEMS. RISK OF FIRE OR ELECTRICAL SHOCK EXISTS.
3. DO NOT MAKE OR ALTER ANY OPEN HOLES IN AN ENCLOSURE OF WIRING OR ELECTRICAL COMPONENTS DURING KIT INSTALLATION.
4. DO NOT EXPOSE WIRING TO EDGE OF SHARP OBJECTS IN ORDER TO PREVENT WIRING DAMAGE OR ABRASION.
5. THE LED LUMINAIRE MUST BE WIRED IN ACCORDANCE WITH THE NATIONAL ELECTRICAL CODE AND APPLICABLE LOCAL CODES.
6. PROPER GROUNDING IS REQUIRED FOR SAFETY.
7. THIS LED LUMINAIRE MUST BE INSTALLED PER THE APPLICABLE

INSTALLATION CODE BY A PERSON FAMILIAR WITH THE CONSTRUCTION AND OPERATION OF THE PRODUCT. DO NOT ATTEMPT INSTALLATION IF THIS CONDITION IS NOT MET. CONTACT A QUALIFIED ELECTRICIAN.

8. DO NOT USE THIS LUMINAIRE FOR ANYTHING OTHER THAN ITS INTENDED USE.

9. DANGER-RISK OF FIRE OR ELECTRICAL SHOCK-DISCONNECT POWER BEFORE BEGINNING INSTALLATION.



INSTALLATION

**THIS FIXTURE IS INTENDED FOR 2" or 1-1/4" NPS (2.38"/60mm or 1.67"/42mm OD)
MAST ARM MOUNTING ONLY**

Tools needed:

9/16" Socket wrench

Straight blade screwdriver

1. Open the door by loosening both door screws. (See Figure 1)

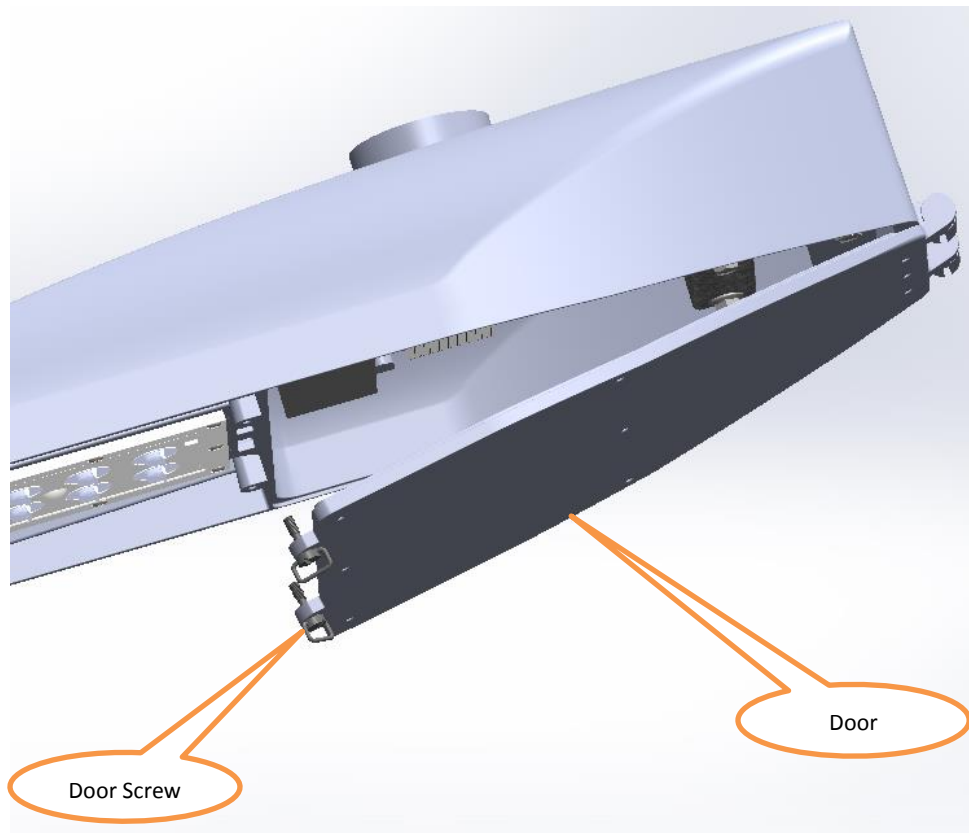


Figure 1

2. The CitySaver luminaire can be installed on a mast arm with a minimum 1-1/4" NPS (1.67"/42 mm OD nominal) to a maximum 2" NPS (2.38"/60mm OD nominal). To install the luminaire on a 1-1/4" NPS mast arm, insert the mast arm into the back of the CitySaver luminaire through the bird guard and into the pipe clamp(s). For a mast arm larger than 1-1/4" NPS and up to 2" NPS, remove the knockout from the bird guard. (See Figure 2) Insert the mast arm into the back of the CitySaver luminaire and into the pipe clamp(s).

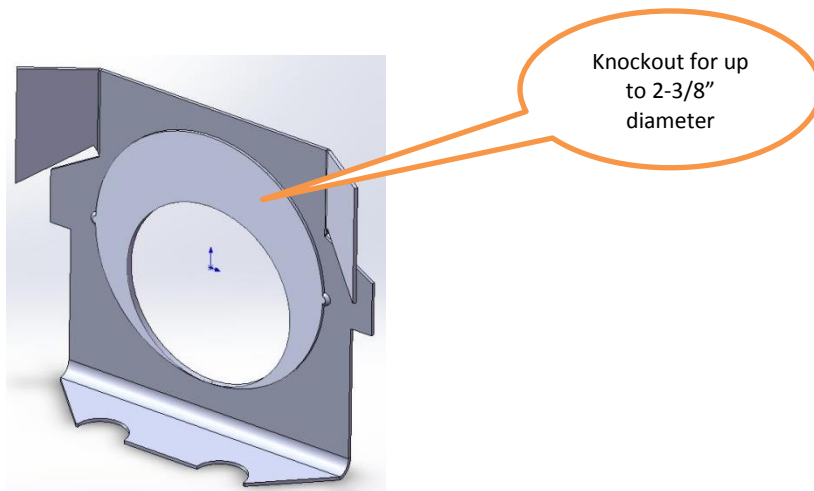


Figure 2

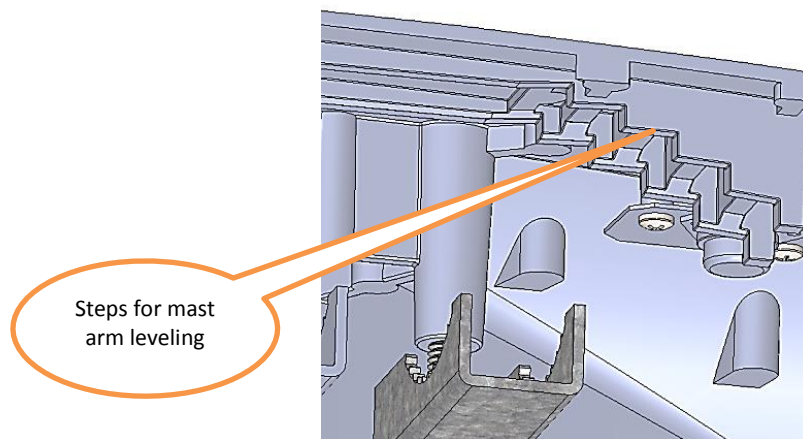


Figure 3

3. Level orientation of luminaire is required. Use steps to compensate, from +5° to -5°, for mast arms that are not level. (See Figure 3) Use the bubble level inside the electrical compartment to level the fixture. Tighten all 3/8" bolts to 25 ft-lbs to secure the luminaire to the mast arm. (See Figure 4)

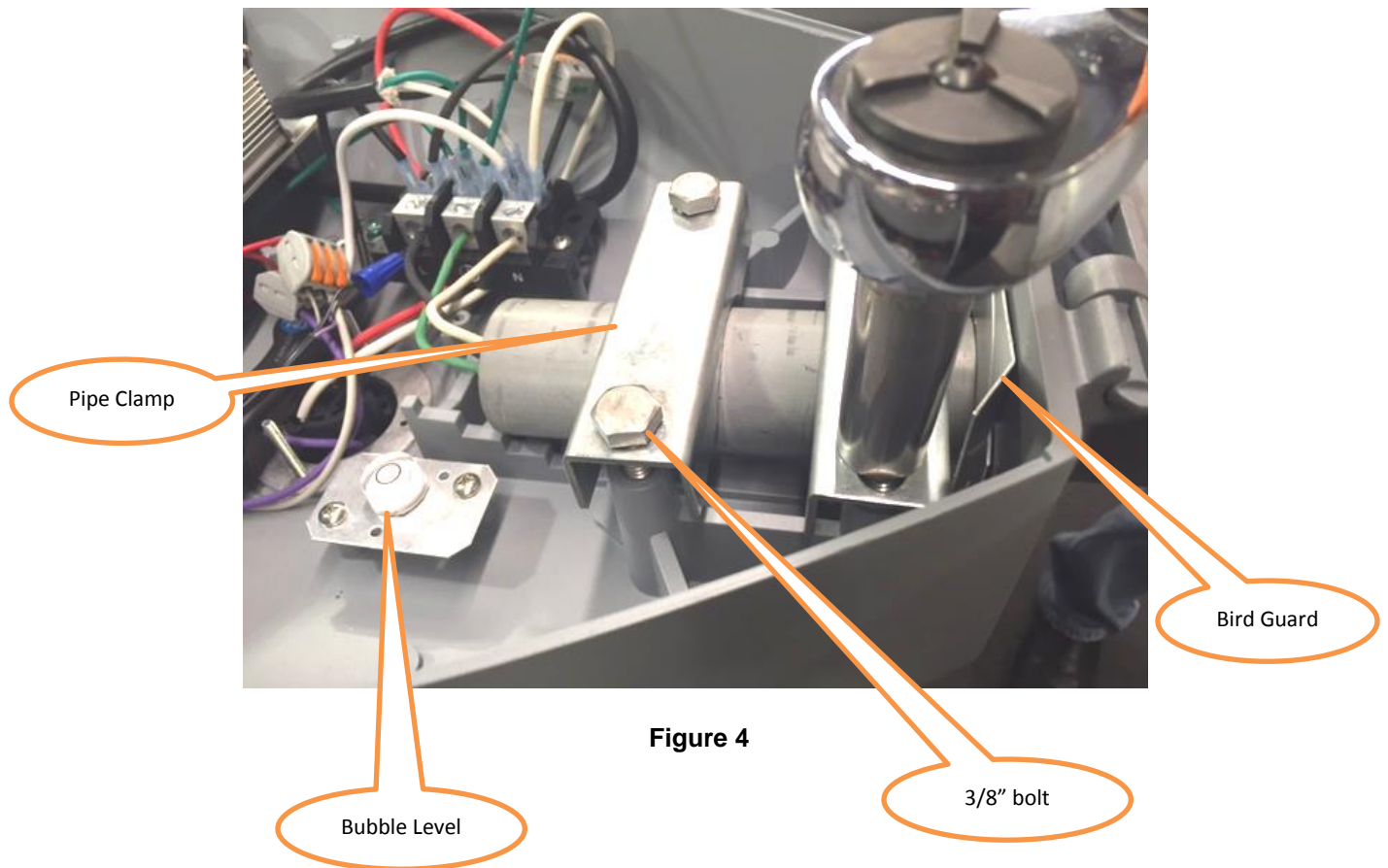


Figure 4

4. Bring the electrical wires into the CitySaver luminaire and connect them to the terminal block inside the electrical compartment. Be sure to connect the line wire to the “L” terminal, the ground wire to the center terminal and the neutral wire to the “N” terminal. (See Figure 5)

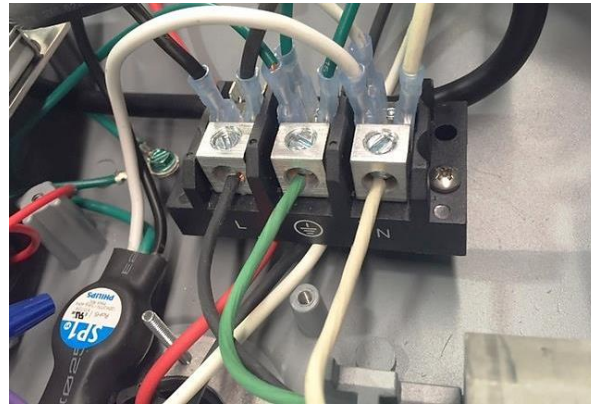


Figure 5

	120/220/277V	347/480V
L	Hot 1	Hot 1
G	Ground	Ground
N	Neutral	Hot 2
	Hot 2 (208/240V)	

5. Close the door by tightening the two door screws until firmly seated.

6. A photocell or shorting cap is required for luminaire operation. Install either a PC or SC into the NEMA receptacle in the top of the luminaire following manufacturer's recommendations. (See Figure 6)

- If photocell receptacle rotation is required for North orientation, loosen mounting screws just enough so the center receptacle housing rotates freely in the locking ring. Use a screwdriver to aim the center receptacle housing so the North indicator points in the desired direction (typically due North). Total rotation is limited to 355° with a stop feature. If the desired direction cannot be achieved by turning clockwise due to the stop feature, simply turn the center in the opposite direction to the desired position. Once the desired position is achieved, the mounting screws should be tightened to 9-18 in-lbs. torque. (See Figure 7)
- To install photocell, align photocell blades with receptacle power contact circuits. Note that the neutral photocell blade is larger than the line and load blades, providing mating polarization. After properly aligning blades, push down until photocell is bottomed on the receptacle's mating surface, slightly compressing the gasket of the photocell. Then complete installation by twisting photocell in a clockwise direction. The photocell will lock into position. To remove, reverse aforementioned process. (see Figure 8)



Figure 6

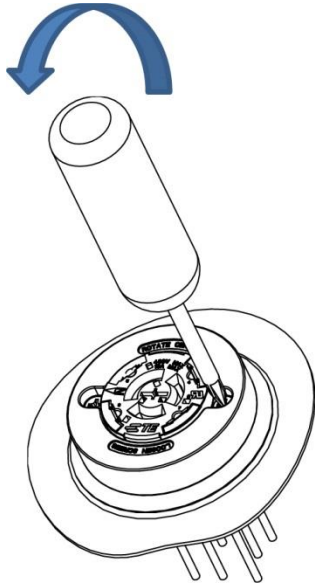


Figure 7
Loosen (do not remove)
mounting screws.



Figure 8
Use screwdriver to
turn the center housing to
the desired position.

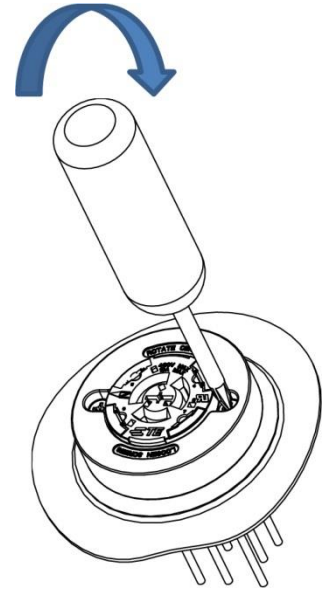


Figure 9
Re-tighten the screws
to the proper torque.

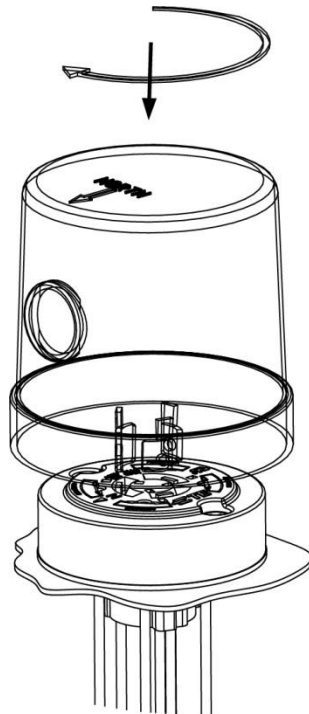
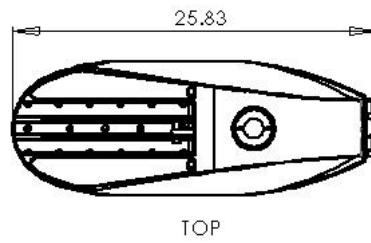
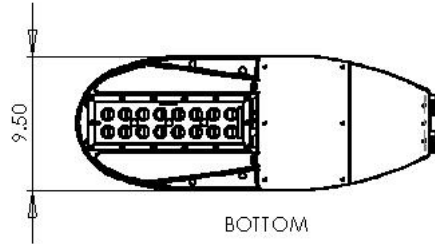
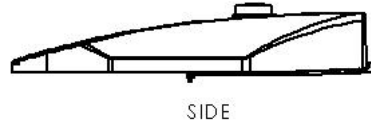
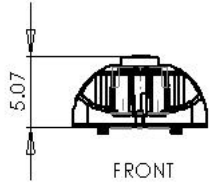
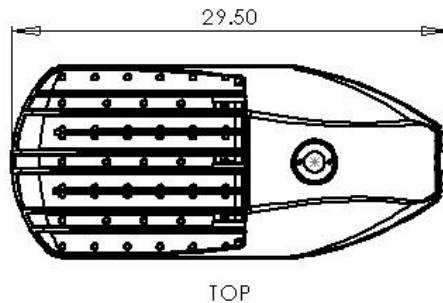
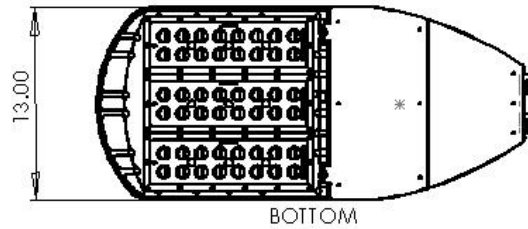
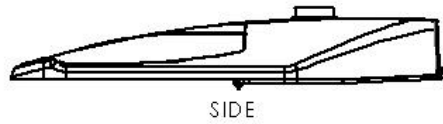
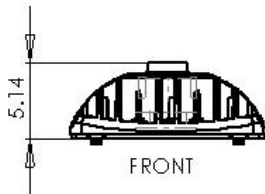


Figure 10
Push down and twist
clockwise to lock.

Luminaire Dimensional Data



City Saver Small Luminaire
EPA: 0.72 sq. ft.
Weight: 14 lbs.



City Saver Medium Luminaire
EPA: 1.14 sq. ft.
Weight: 22 lbs.