
IMPORTANT SAFEGUARDS

INSTRUCTIONS

THIS PRODUCT MUST BE INSTALLED IN ACCORDANCE WITH THE APPLICABLE INSTALLATION CODE BY A PERSON FAMILIAR WITH THE CONSTRUCTION AND OPERATION OF THE PRODUCT AND THE HAZARDS INVOLVED.

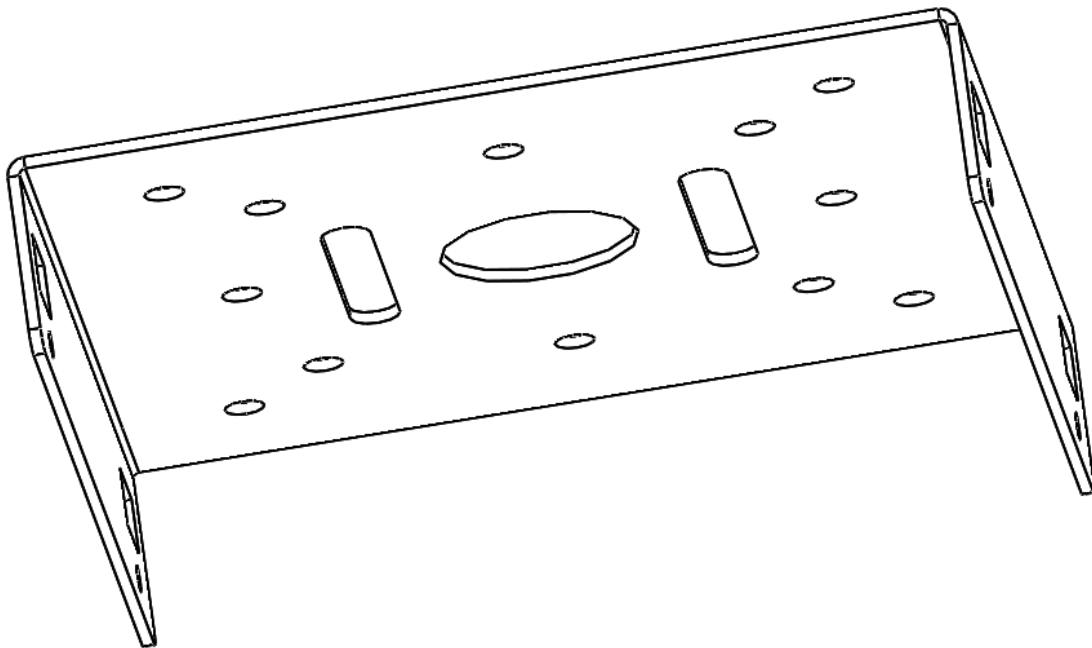
CE PRODUIT DOIT ÊTRE INSTALLÉ SELON LE CODE D'INSTALLATION PERTINENT, PAR UNE PERSONNE QUI CONNAÎT BIEN LE PRODUIT ET SON FONCTIONNEMENT AINSI QUE LES RISQUES INHÉRENTS.

- 1. READ AND FOLLOW ALL SAFETY INSTRUCTIONS.**
- 2. DANGER-RISK OF FIRE OR ELECTRICAL SHOCK-DISCONNECT POWER BEFORE BEGINNING INSTALLATION.**
- 3. INSTALLATION REQUIRES KNOWLEDGE OF LED LIGHTING AND ELECTRICAL SYSTEMS. RISK OF FIRE OR ELECTRICAL SHOCK EXISTS.**
- 4. DO NOT MAKE OR ALTER ANY OPEN HOLES IN AN ENCLOSURE OF WIRING OR ELECTRICAL COMPONENTS DURING KIT INSTALLATION.**
- 5. DO NOT EXPOSE WIRING TO EDGE OF SHEET METAL OR OTHER SHARP OBJECTS IN ORDER TO PREVENT WIRING DAMAGE OR ABRASION.**
- 6. THE LED LUMINAIRE MUST BE WIRED IN ACCORDANCE WITH THE NATIONAL ELECTRICAL CODE AND APPLICABLE LOCAL CODES.**
- 7. PROPER GROUNDING IS REQUIRED FOR SAFETY.**
- 8. THIS LED LUMINAIRE MUST BE INSTALLED PER THE APPLICABLE INSTALLATION CODE BY A PERSON FAMILIAR WITH THE CONSTRUCTION AND OPERATION OF THE PRODUCT. DO NOT ATTEMPT INSTALLATION IF THIS CONDITION IS NOT MET. CONTACT A QUALIFIED ELECTRICIAN.**
- 9. DO NOT USE THIS LUMINAIRE FOR ANYTHING OTHER THAN ITS INTENDED USE.**

INSTALLATION

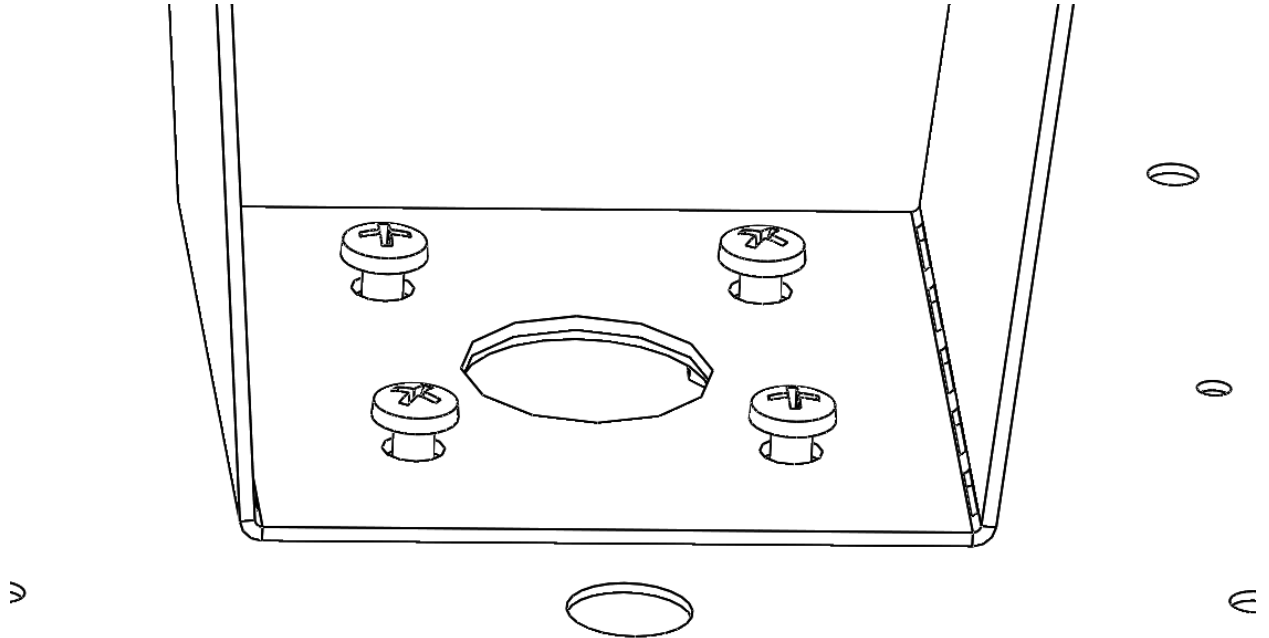
THIS FIXTURE IS INTENDED SURFACE MOUNTING ONLY

1. Verify that the electrical power to the junction box is in the OFF position.
2. Install small bracket to the ceiling or junction box.



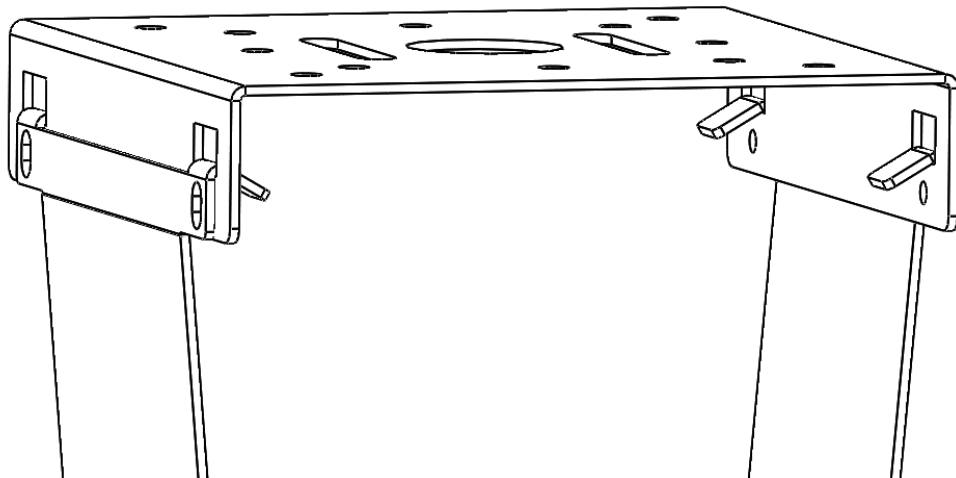
(Figure 1)

3. Secure the large bracket to the luminaire top cover with the 4 x ¼" screws provided.



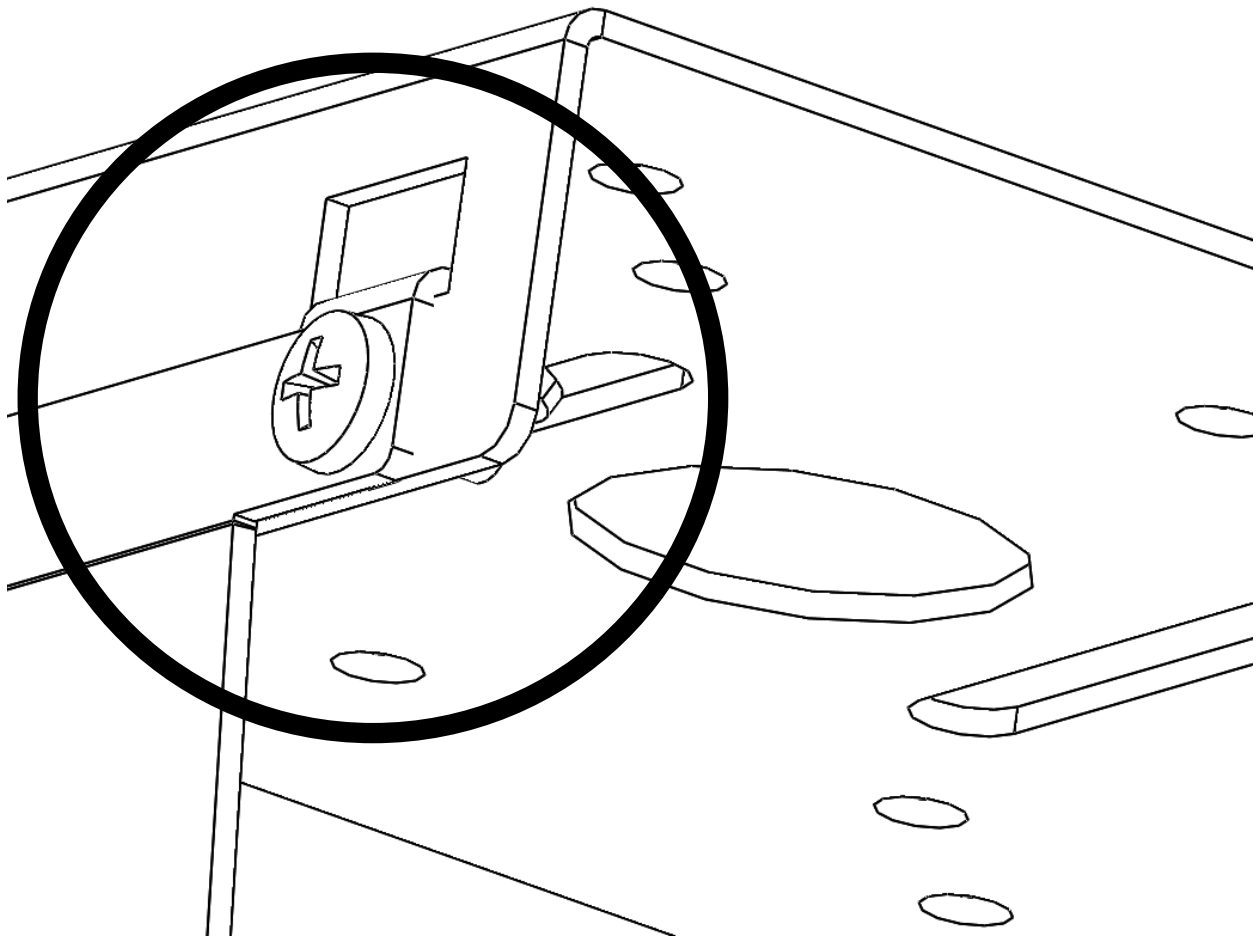
(Figure 2)

4. Bend the 2 large flanges from the large bracket and hang it into the ceiling bracket installed in step 2.

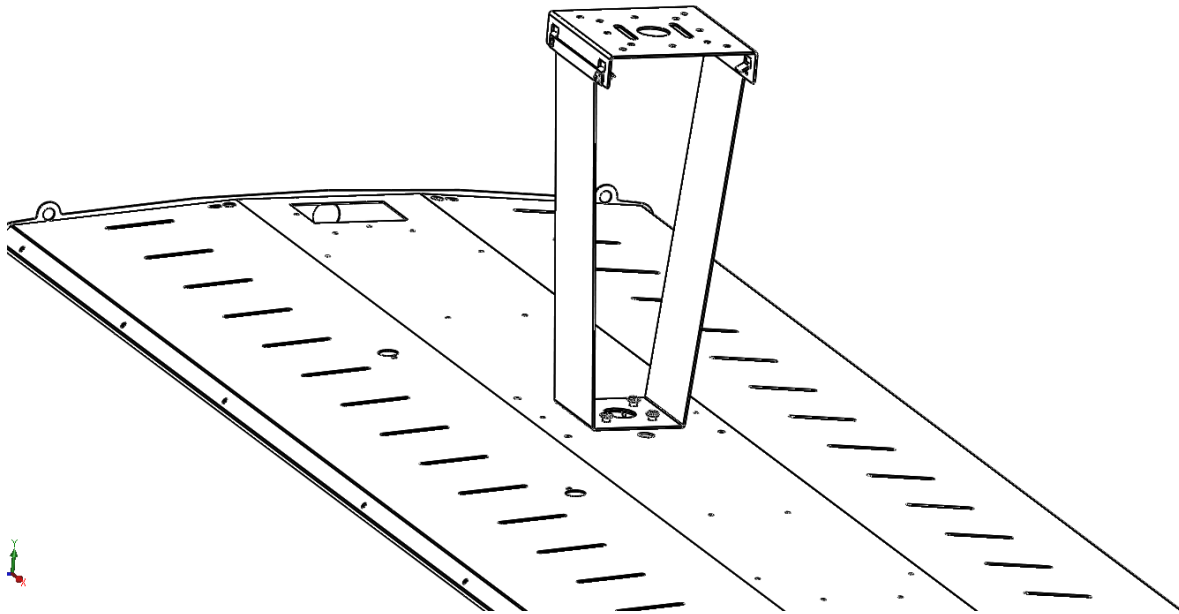


(Figure 3)

5. Set 1 screw into each hanging flange to secure it.



Final product



6. This LED fixture has been factory wired for non-dimming. If dimming is required, re-wire LED driver per the wiring diagram on the LED driver.
7. Secure the fixture in the desired location by suitable means. The proper hardware for the substrate the LED fixture is mounted to shall be proved by the installer.
8. Connect power supply wires as shown in wiring diagram. (See Figure 4 below).
9. Turn on power and check for proper operation.

Wiring

Universal driver: 120VAC - 277VAC, 50/60HZ.

1. Verify that the electrical power to the Luminaire is in the OFF position.
2. Connect the fixture side Black lead to Line supply lead
3. Connect the fixture side White lead to Neutral supply lead.
4. Connect the fixture side Green lead to Green supply lead.
5. Energize the electrical power and verify proper operation.

Wiring Diagram

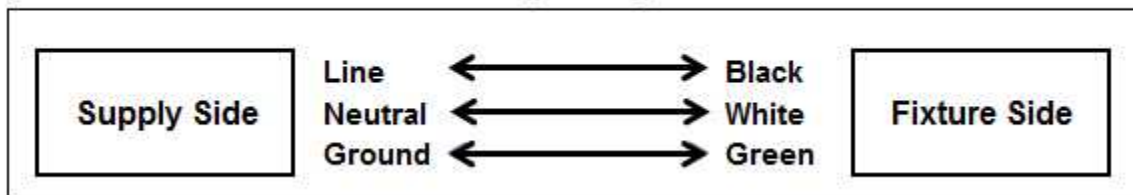


Figure 4