
IMPORTANT SAFETY INSTRUCTIONS

THIS PRODUCT MUST BE INSTALLED IN ACCORDANCE WITH THE APPLICABLE INSTALLATION CODE BY A PERSON FAMILIAR WITH THE CONSTRUCTION AND OPERATION OF THE PRODUCT AND THE HAZARDS INVOLVED.

CE PRODUIT DOIT ÊTRE INSTALLÉ SELON LE CODE D'INSTALLATION PERTINENT, PAR UNE PERSONNE QUI CONNAÎT BIEN LE PRODUIT ET SON FONCTIONNEMENT AINSI QUE LES RISQUES INHÉRENTS.

1. READ AND FOLLOW ALL SAFETY INSTRUCTIONS.
2. INSTALLATION REQUIRES KNOWLEDGE OF LED LIGHTING AND ELECTRICAL SYSTEMS. RISK OF FIRE OR ELECTRICAL SHOCK EXISTS.
3. DO NOT MAKE OR ALTER ANY OPEN HOLES IN AN ENCLOSURE OF WIRING OR ELECTRICAL COMPONENTS DURING KIT INSTALLATION.
4. DO NOT EXPOSE WIRING TO EDGE OF SHEET METAL OR OTHER SHARP OBJECTS IN ORDER TO PREVENT WIRING DAMAGE OR ABRASION.
5. THE LED LUMINAIRE MUST BE WIRED IN ACCORDANCE WITH THE NATIONAL ELECTRICAL CODE AND APPLICABLE LOCAL CODES.
6. PROPER GROUNDING IS REQUIRED FOR SAFETY.
7. THIS LED LUMINAIRE MUST BE INSTALLED PER THE APPLICABLE INSTALLATION CODE BY A PERSON FAMILIAR WITH THE CONSTRUCTION AND OPERATION OF THE PRODUCT. DO NOT ATTEMPT INSTALLATION IF THIS CONDITION IS NOT MET. CONTACT A QUALIFIED ELECTRICIAN.
8. DO NOT USE THIS LUMINAIRE FOR ANYTHING OTHER THAN ITS INTENDED USE.

**9. DANGER-RISK OF
FIRE OR
ELECTRICAL
SHOCK-
DISCONNECT
POWER BEFORE
BEGINNING
INSTALLATION.**



INSTALLATION

Verify that the electrical power to the junction box is in the OFF position.

Screw-in Adjustable Cable Mount Canopies (accessories sold separately)

1. Screw in cable hangers (2 per fixture) as shown below. (see Figure 1)
2. Follow instructions included with the mounting hardware.
3. Connect incoming power to fixture leads as shown in wiring diagram. (see Figure 4)

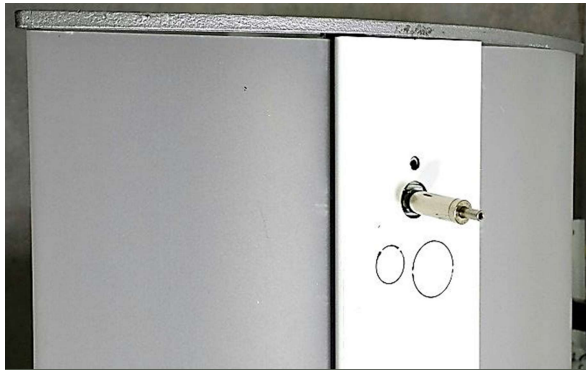


Figure 1

Pendant mounting (accessories sold separately)

1. Remove top cover from fixture.
2. Slide cover up over pendants and screw pendant stems into brackets in fixture (2 per fixture) (see Figure 2)
3. Connect incoming power to fixture leads as shown in wiring diagram. (see Figure 4)
4. Slide top cover back down onto fixture and re-attach. (see Figure 3)
5. Follow instructions included with the mounting hardware.

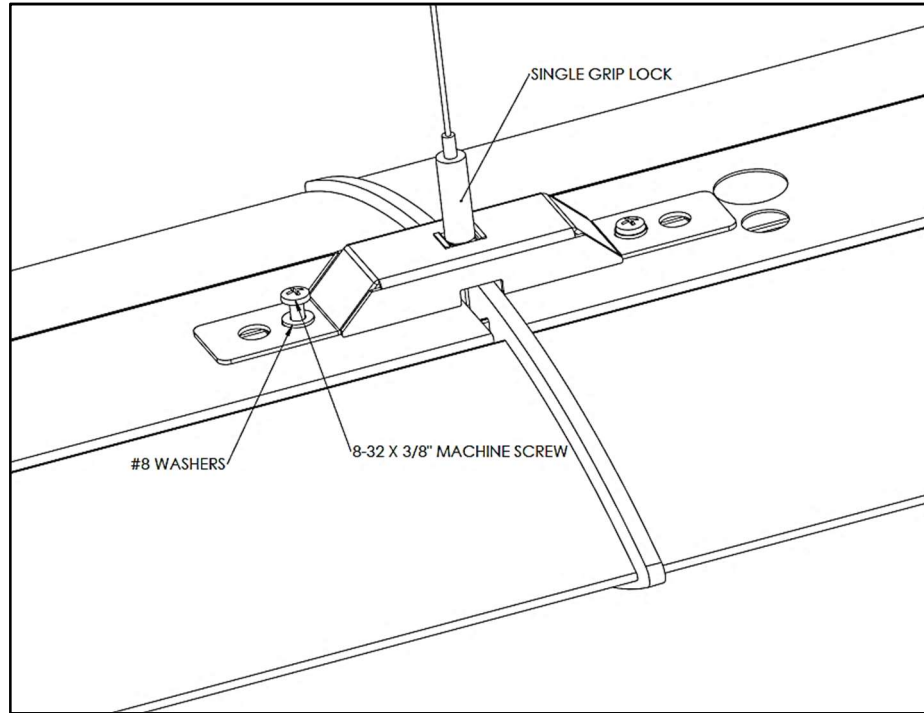


Figure 2



Figure 3

Continuous Row Mounting



WIRING

Universal driver: 120VAC - 277VAC, 50/60HZ.

1. Verify that the electrical power to the Luminaire is in the OFF position.
2. Connect the fixture side Black lead to Hot (Line) supply lead
3. Connect the fixture side White lead to Common (Neutral) supply lead.
4. Connect the fixture side Green lead to Ground (Green) supply lead.
5. Purple and gray wires are dimming leads. If dimming is not required, these leads can be capped with wire nuts.
6. Energize the electrical power and verify proper operation.

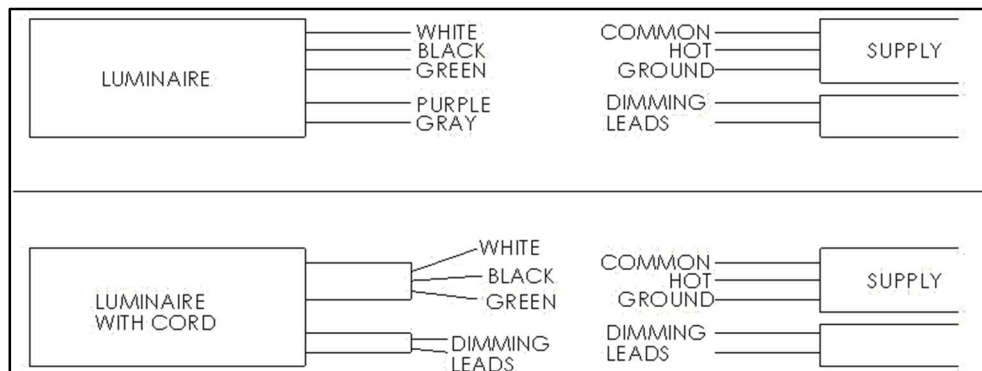


Figure 4

DIMENSIONAL DATA

