

Project Name	Type
Catalog #	Date

ARCHITECTURAL RECESSED TROFFER

ART LED 2000-10000L



APPLICATIONS

- Office Spaces
- Conference Rooms
- Municipal Facilities
- Medical Facilities
- Financial Institutions
- Retail Spaces
- Hospitality Areas
- Corridors

APPROVALS

- ETL Listed. Complies with UL 1598 and CSA 22.2
- Suitable for damp locations.

PRODUCT PERFORMANCE

MODEL	LENS	CCT	WATTS	LUMENS	EFFICACY
ART14-6500L	FLAT	4000K	55.0	6472	117.7
ART22-4500L	FLAT	4000K	42.6	4458	104.6
ART24-10000L	ROUND	4000K	87.8	10157	115.7

FEATURES

- The ART is an elegant architectural recessed troffer that uses patented LED technology to create soft and consistent illumination.
- The evenly illuminated, back-lit curved polycarbonate lens provides uniform light distribution overall.
- Choice of a “floating” curved, “floating” flat or round decorative center lens treatment adds a stylish appearance.

CONSTRUCTION

- Housing is code gauge steel for durability and end plates are painted matte white to eliminate glare.

ELECTRICAL

- Voltage: 120-277 VAC input, 0-10V dimming is standard.
- Driver: 24VDC Class 2, constant current, electronic power supply factory calibrated to LED modules. Multi-volt 120-277V, 0-10V dimming option is standard.
- Best-in-class LEDs: 3000K, 3500K and 4000K (min 80 CRI).

ACCESSORIES

- Recessed troffer flange kit available, ordered separately (consult factory).

WARRANTY

- 10-Year Limited Warranty

ORDER LOGIC

SAMPLE CATALOG NUMBER: ART24-3000L-30K-DIM-C-EM

LENGTH & MODEL COMBINATIONS:	ART						
	SIZE	MODEL	CCT	DRIVER	LENS	OPTIONS	
ART14 - 2000L	14 1x4	2000L	30K 3000K	DIM Dimmable 0-10V, Multi-Volt 120-277V	C ¹ Curved Floating Center Treatment	EM 10W Emergency LED Driver (120-277V Only)	
ART14 - 3000L	22 2x2	3000L	35K 3500K				
ART14 - 4500L	24 2x4	4500L	40K 4000K	LDE1 Hi-Lume™ 1% EcoSystem™ LED Driver with Soft-On, Fade-to-Black™	R ¹ Round Center Treatment	F Flat Floating Center Treatment	
ART14 - 5000L		5000L					
ART14 - 6500L		6500L		LDE5 5-Series EcoSystem™ LED Driver			
ART22 - 2000L		7000L					
ART22 - 3000L		8500L					
ART22 - 4500L		10000L					
ART24 - 3000L							
ART24 - 4500L							
ART24 - 5500L							
ART24 - 7000L							
ART24 - 8500L							

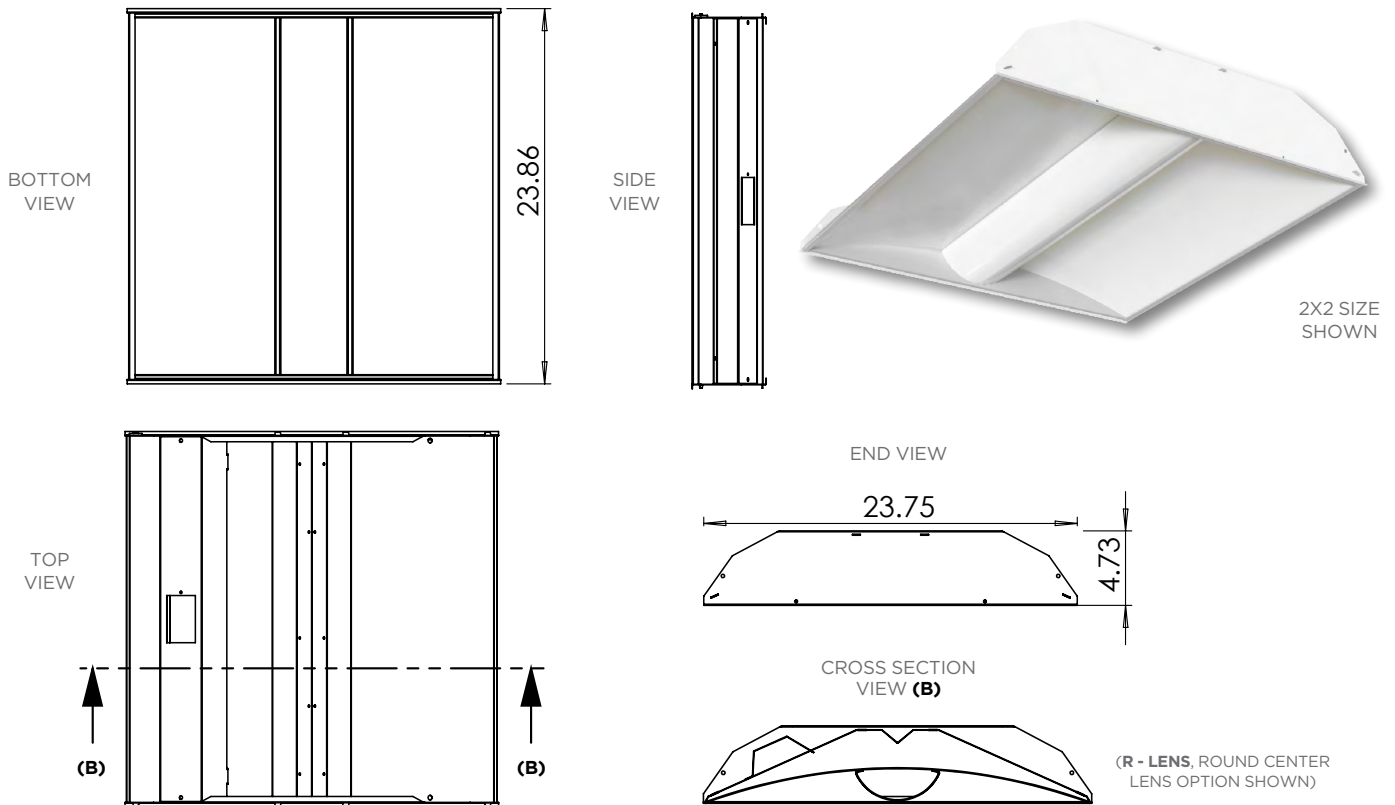
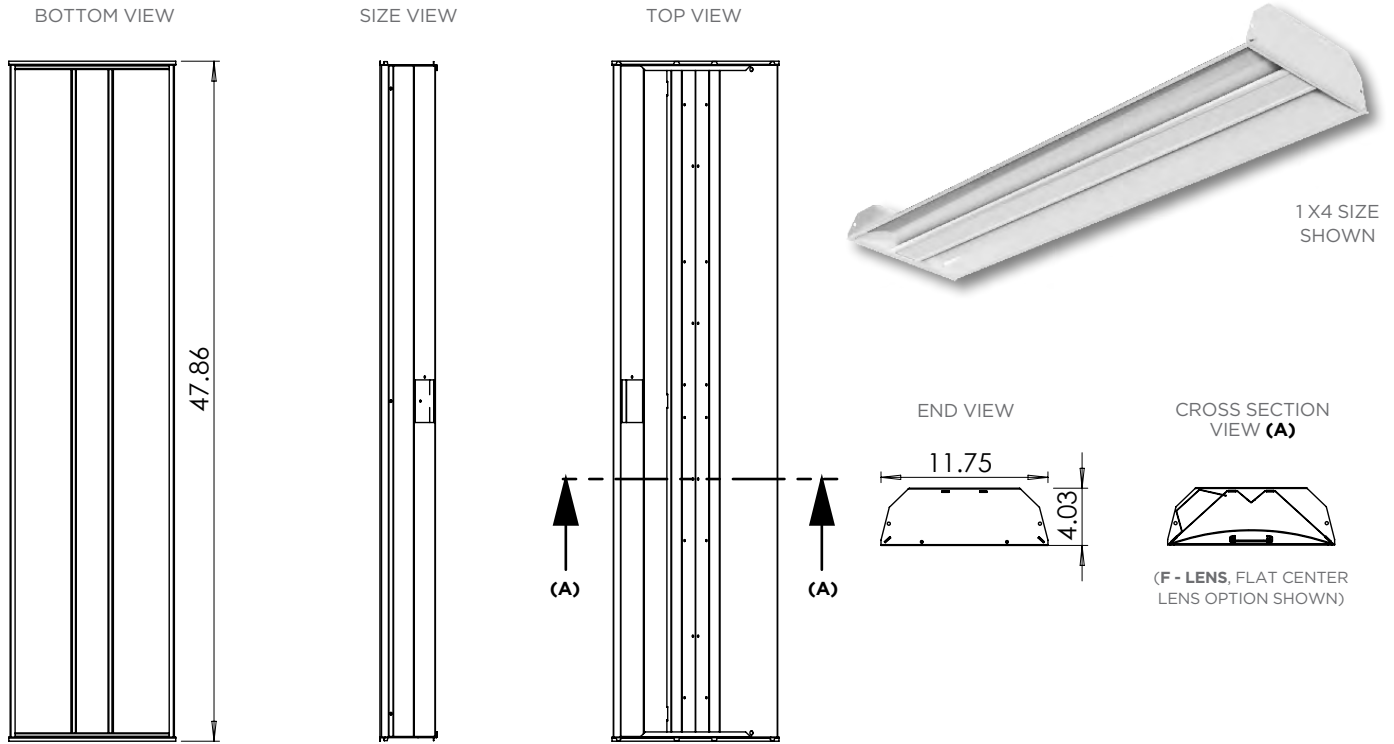
1. [C] & [R] Lens Options Not Available In 1x4 Size.



ARCHITECTURAL RECESSED TROFFER

ART LED 2000-10000L

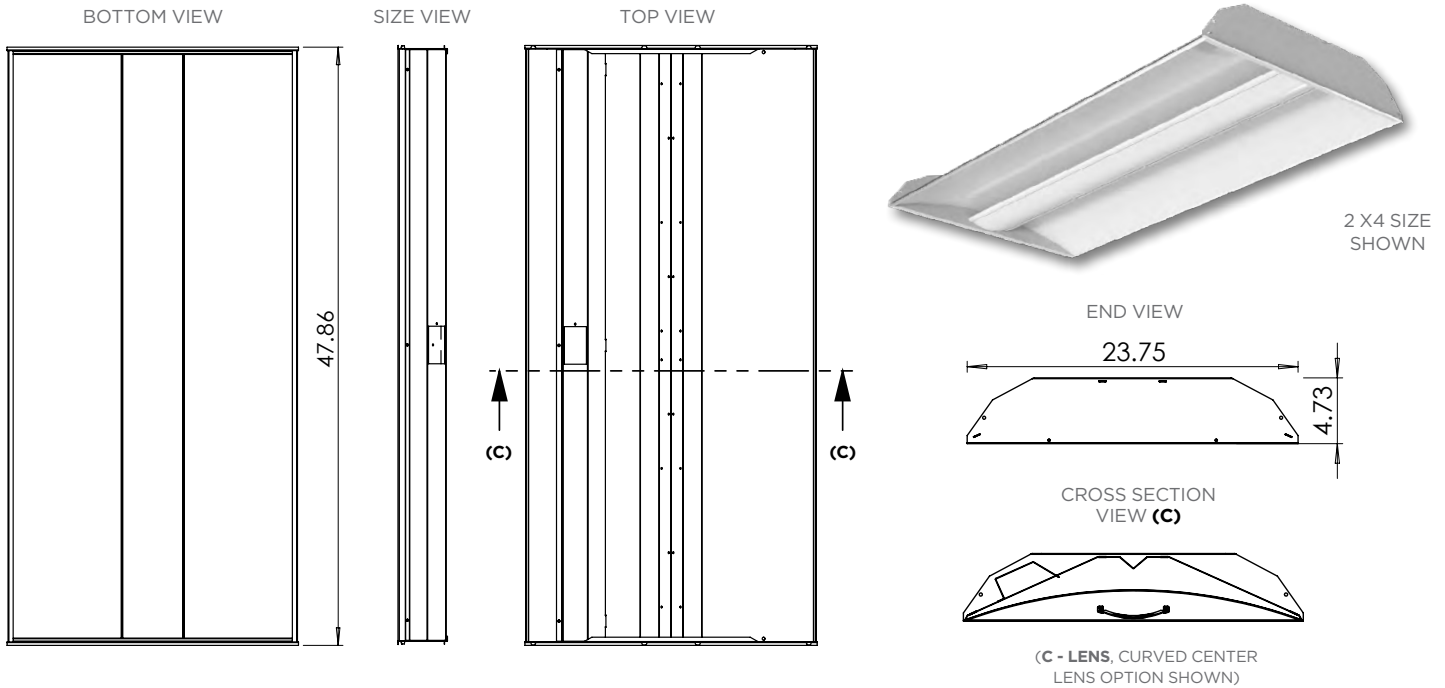
DIMENSIONAL DATA



ARCHITECTURAL RECESSED TROFFER

ART LED 2000-10000L

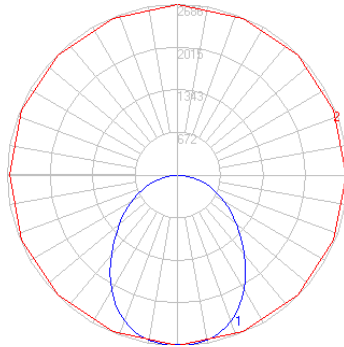
DIMENSIONAL DATA (CONT.)



PHOTOMETRIC DATA

ART 6500L 1x4

Catalog Number: ART14-6500L-40K-DIM-F
 Report Number: ATAL024430.ies
 Issue Date: 05/02/18
 Lamp: 4 LED Modules
 Lens/Optics: Flat
 IESNA: LM-63-2002
 Total Input Watts: 55.0
 Efficacy (Lm/W): 117.7
 Total Lumens: 6472
 Prepared by: American Testing & Assessment Laboratory
 NOTE: Data shown is absolute for product shown.



CANDELA DISTRIBUTION

	0°	22.5°	45°	67.5°	90°
0°	2674	2674	2674	2674	2674
15°	2494	2510	2534	2550	2563
25°	2225	2239	2265	2281	2287
35°	1847	1864	1872	1868	1863
45°	1437	1441	1433	1420	1409
55°	1047	1048	1037	1025	1019
65°	715	711	706	697	694
75°	421	419	421	406	399
85°	143	140	108	91	90
90°	8	7	8	7	8

ZONAL LUMEN SUMMARY

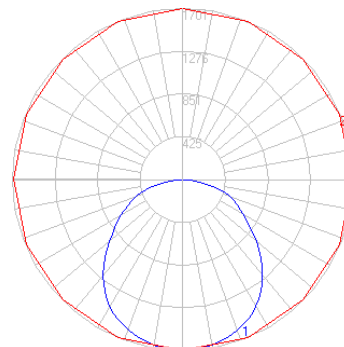
Zone	Lumens	%Fixt
0-30	2003.69	31.00
0-40	3168.95	49.00
0-60	5203.07	80.40
0-80	6337.88	97.90
0-90	6470.76	100.00
90-180	1.03	0.00
0-180	6471.79	100.00

AVERAGE LUMINANCE

	0°	45°	90°
45°	5984	5967	5867
55°	5375	5323	5231
65°	4981	4919	4835
75°	4789	4789	4539
85°	4831	3649	3040

ART 4500L 2x2

Catalog Number: ART22-4500L-40K-DIM-F
 Report Number: ATAL024432.ies
 Issue Date: 05/02/18
 Lamp: 2 LED Modules
 Lens/Optics: Flat
 IESNA: LM-63-2002
 Total Input Watts: 42.6
 Efficacy (Lm/W): 104.6
 Total Lumens: 4458
 Prepared by: American Testing & Assessment Laboratory
 NOTE: Data shown is absolute for product shown.



CANDELA DISTRIBUTION

	0°	22.5°	45°	67.5°	90°
0°	1699	1699	1699	1699	1699
15°	1579	1586	1607	1629	1639
25°	1388	1407	1455	1513	1537
35°	1141	1172	1248	1329	1359
45°	887	920	1003	1071	1097
55°	647	681	755	806	827
65°	436	471	532	579	598
75°	249	283	333	369	384
85°	69	83	77	70	68
90°	3	4	5	7	6

ZONAL LUMEN SUMMARY

Zone	Lumens	%Fixt
0-30	1285.04	28.80
0-40	2066.17	46.30
0-60	3503.03	78.60
0-80	4363.39	97.90
0-90	4457.30	100.00
90-180	0.70	0.00
0-180	4458.00	100.00

AVERAGE LUMINANCE

	0°	45°	90°
45°	3712	4198	4591
55°	3338	3896	4267
65°	3053	3725	4188
75°	2847	3808	4391
85°	2343	2615	2309



(More Testing Available On Page 4)

WORKING HARDER. LIGHTING SMARTER.™

ART1.2.4-2000.10000L
191110

www.xtralight.com • (800) 678-6960 • customerservice@xtralight.com

All information is believed to be accurate at the time of publication. Please contact customer service or visit www.xtralight.com for the most updated product specifications. XtraLight® reserves the right to change specifications without notice.

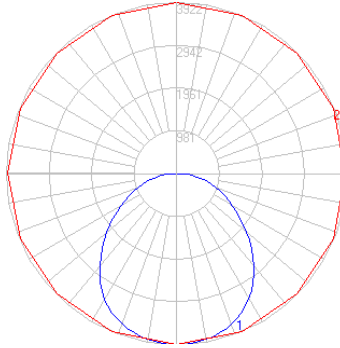
ARCHITECTURAL RECESSED TROFFER

ART LED 2000-10000L

PHOTOMETRIC DATA (CONT.)

ART 10000L 2x4

Catalog Number: ART24-10000L-40K-DIM-R
 Report Number: ATAL024431.ies
 Issue Date: 05/01/18
 Lamp: 4 LED Modules
 Lens/Optics: Round
 IESNA: LM-63-2002
 Total Input Watts: 87.8
 Efficacy (Lm/W): 115.7
 Total Lumens: 10157
 Prepared by: American Testing & Assessment Laboratory
 NOTE: Data shown is absolute for product shown.



CANDELA DISTRIBUTION

	0°	22.5°	45°	67.5°	90°
0°	3910	3910	3910	3910	3910
15°	3658	3679	3726	3768	3790
25°	3264	3310	3400	3489	3524
35°	2734	2796	2914	3023	3061
45°	2144	2200	2315	2405	2431
55°	1561	1607	1705	1765	1781
65°	1039	1070	1148	1194	1214
75°	582	603	673	714	730
85°	177	204	230	230	229
90°	12	15	23	28	25

ZONAL LUMEN SUMMARY

Zone	Lumens	%Fixt
0-30	2983.02	29.40
0-40	4799.54	47.30
0-60	8087.15	79.60
0-80	9913.85	97.60
0-90	10154.4	100.00
90-180	2.89	0.00
0-180	10157.29	100.00

AVERAGE LUMINANCE

	0°	45°	90°
45°	4367	4715	4951
55°	3919	4281	4472
65°	3541	3912	4137
75°	3238	3745	4062
85°	2925	3801	3784