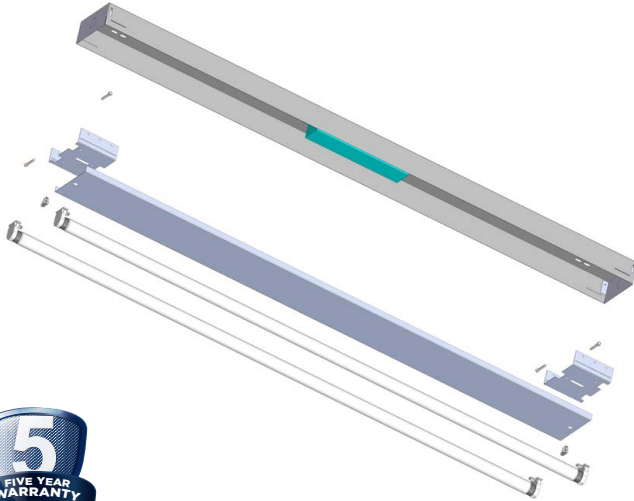


Project Name	Type
Catalog #	Date

BALLAST COVER RETROFIT KIT

BCK LED



DESCRIPTION

The Ballast Cover Retrofit Kit is used to convert fluorescent T8 industrial strip fixtures to LED which results in substantial energy savings and improved lighting. The Ballast Cover Kit can easily produce ideal IES recommended light levels with minimal energy consumption. XtraLight retrofit kits will continue to provide consistent fixture performance and repeat annual energy savings for many years to come.

APPLICATIONS

- Relamping 4' or 8' fluorescent strip fixtures to one, two or four T8 LED tubes, most common in industrial or commercial spaces.

APPROVALS

- Complies with UL1598 and CSA 22.2

FEATURES

- Proudly designed and manufactured in Houston, Texas.
- Considerable reduction in energy costs as compared to open strip fluorescent fixtures.
- Significant reduction in maintenance costs and easily cleaned.
- Streamlined packaging for easy job site management and easy installation in the field.

CONSTRUCTION

- Driver/ballast covers are precision formed 22 gauge steel 5" wide to fit over the existing 4.25" or 5" wide strip channels, painted white. 8 ft. kit includes (2) 4 ft. driver/ballast covers.
- Lampholder brackets standard adjustable for 4.25" and 5.00" wide. Other widths available, consult factory.
- Kit includes: driver/ballast cover, optional lampholders, tek screws, quarter turn fasteners and adjustable raceways.

ELECTRICAL

- Choice of shunted or unshunted lampholders. If pre-wired assembly kit is ordered separately, lamp holders will be included with the wiring.
- Lampholders are high profile snap-in rotating camlock design.
- LED tubes not included (sold separately).

WARRANTY

- 5 year warranty.

ORDER LOGIC

SAMPLE CATALOG NUMBER: BCK-4-02-SH

BCK - - -

SIZE	NO. LAMPS	LAMP HOLDERS
4 4 ft.	01 1 T8 Lamp	SH Shunted Lamp Holders
8 8 ft.	02 2 T8 Lamps	US Unshunted Lamp Holders
	04 4 T8 Lamps	NO Lamp Holders Included with Pre-Wired Assembly (Sold Separately)



BALLAST COVER RETROFIT KIT

BCK LED

DIMENSIONAL DATA

4' LENGTH SHOWN

