

PROJECT INFORMATION

Project Name	Type
Catalog #	Date

HIGH POWER HIGH BAY



APPLICATIONS

- Warehouse & Storage Facilities
- Industrial & Manufacturing
- Airport & Transportation
- Extreme Mounting Heights
- Shipbuilding
- Convention Centers

APPROVALS

- Complies with UL 1598 and CSA C22.2
- Suitable for damp locations
- BAA Compliant
- RoHS Compliant
- ATAL Tested www.ata-labs.com



FEATURES

- Lumen packages ranging from 60000L to 210000L.
- LED high bay luminaire designed to deliver among the highest lumen package on the market for a wide range of commercial or industrial applications.
- Engineered for high efficiency, extreme mounting heights, and performance in the most challenging high-bay applications
- Engineered to maximize lumen output.

CONSTRUCTION

- Extruded aluminum profile provides superior thermal management for the LEDs, as well as a versatile structure for mounting.
- Anodized black for durability.
- Rugged construction ensures maximum protection for internal components against the most demanding environments.

ELECTRICAL

- Voltage: 120-277V or 347-480V AC input
- Driver: Class 2, constant current, calibrated to lumen package (0-10V dimming standard)
- Operating temperature: -40°C to +40°C (-40°F to +104°F)

CONTROLS

- Consult factory for control options.

MOUNTING

- Standard mounting is compatible with adjustable chain and cable, as well as, V and Y hangers.
- Adjustable chain and cable sold separately.

WARRANTY

- Backed by XtraLight's limited 5-year warranty.

ORDER LOGIC

SAMPLE CATALOG NUMBER: HPH-150000L-50K-DIM-NOL-STD

HPH	MODEL	CCT	DRIVER	LENS/OPTICS	MOUNTING	OPTIONS
2X2	60000L ¹ 85000L 105000L	40K 4000K 50K 5000K	DIM Dim 0-10V, 120-277V 48D Dim 0-10V, 347-480V	NOL No Lens	STD Standard	XX 18/3 SOOW Black Cord, XX= Cord Length in Feet (6 in. provided standard) PL 120V 5-15 Straight Blade Plug
2X4	150000L 210000L					

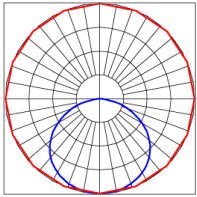
1. 60000L model is constructed with four bars.

HIGH POWER HIGH BAY

HPH

ISO LINES

NO LENS/OPTICS



PHOTOMETRIC DATA

SIZE	MODEL	CCT	LENS / OPTICS	LUMENS	WATTAGE	EFFICACY
2x2	85000L	5000K	NOL	85907	535.0	161.0
	105000L		NOL	103605	675.0	154.0
2x4	150000L	5000K	NOL	146756	902.0	163.0
	210000L		NOL	207888	1352.0	154.0

LUMEN MULTIPLIER VS CCT

CCT	MULTIPLIER
4000K	0.96
5000K	1.0

DIMENSIONAL DATA

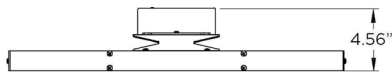
ALL SIZES

WEIGHT:

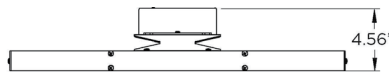
2X2 (6 BAR) = 20 LB

2X4 (6 BAR) = 40 LB

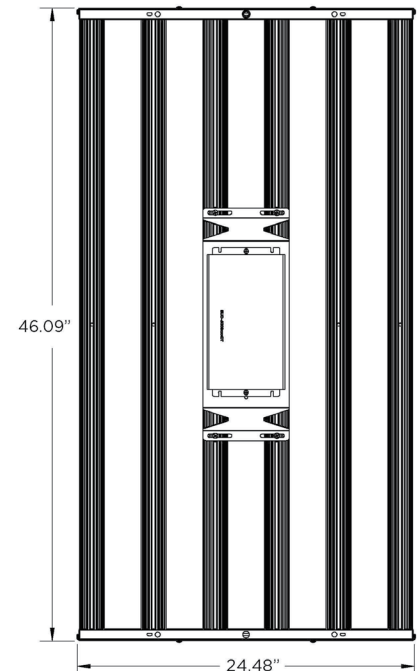
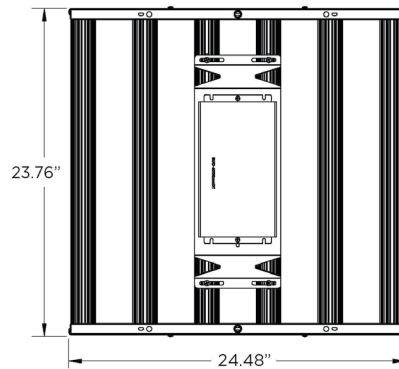
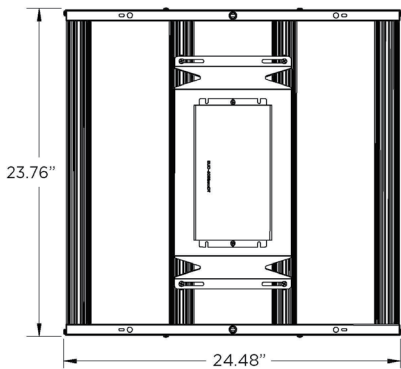
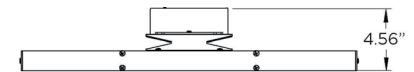
2X2 (4 BAR)



2X2 (6 BAR)



2X4 (6 BAR)



• All weights are rounded up to the nearest 0.5 lb.

HIGH POWER HIGH BAY

HPH

ACCESSORIES (SOLD SEPARATELY)

- MS0043** S-Hook
- MS0020** 1 ft Chain

DESCRIPTION

- Adjustable Chain and S-hook
- Sold in 1 FT increments
- Four S-hooks required per fixture



ADJUSTABLE CABLE

- MS0199** 5 FT
- MS0214** 10 FT

DESCRIPTION

- Adjustable Cable
- Two cables required per fixture

